

GlammFire

Burners Burner III



Fully made from stainless steel, our bioethanol burners have a contemporary design and outstanding manufacturing quality. The resistance and safety of the materials reinforce their excellent versatility as pieces of high functional and decorative nature. They are more and more becoming part of projects by architects and interior designers.

GlammFire

Recuperadores Pachinha Lda.
Zona Industrial da Lagoa, Lote G1
4950-850 CORTES - MONÇÃO
PORTUGAL

Tel(+351) 251 654 800
Fax(+351) 251 654 801
info@glammfire.com
www.glammfire.com

glamm
fire

GlammFire

Burners

Burner III

Burner III / stainless steel



Dimensions// 86 h x 487 w x 227 d mm

Weight//10 kg

Accessories// Key, Lighter, Funnel, Container/measuring jug ,

Optional Accessories // Decorative ceramic wood, Decorative white marble stone, Bioethanol Jug (5 litres)

Total Weight// 13 kg

1 Kg/ Decorative ceramic wood

3 Kg/ Decorative white marble stone

4,3 Kg/ Bioethanol Jug (5 litres)

3 litres (liquid bioethanol)

Power// 5,30 kW

Burning time// Position med. 3 litres/ 6h

Position max. 3 litres/ 3h:30

GlammFire

Recuperadores Pachinha Lda.
Zona Industrial da Lagoa, Lote G1
4950-850 CORTES - MONÇÃO
PORTUGAL

Tel(+351) 251 654 800
Fax(+351) 251 654 801
info@glammfire.com
www.glammfire.com

glamm
fire

GlammFire

Burners

Burner III

Installation

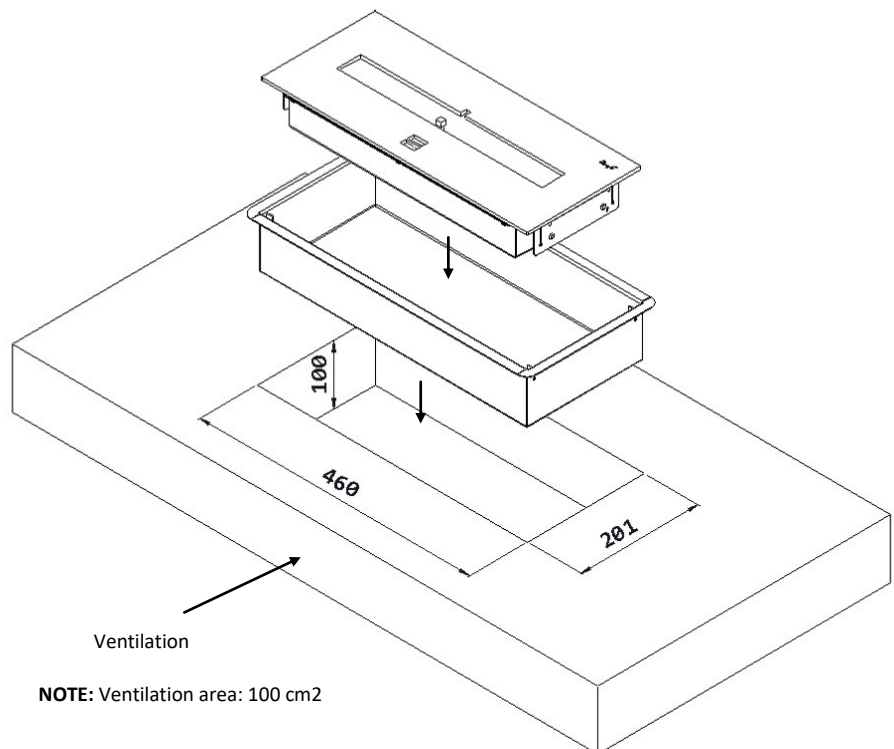
In order to ensure a safety margin with respect to the ground, it is recommended a minimum distance of 400 mm between the floor and the top of the burner;

The surface on you want to install the burner should be as level as possible.

Dimensions:

Ensure the hole where you want to place the burner has the following minimum dimensions, as shown in the figure below:

- Length: 460 mm;
- Width: 201 mm;
- Depth: 100 mm;



GlammFire

Recuperadores Pachinha Lda.
Zona Industrial da Lagoa, Lote G1
4950-850 CORTES - MONÇÃO
PORTUGAL

Tel(+351) 251 654 800
Fax(+351) 251 654 801
info@glammfire.com
www.glammfire.com

glamm[®]
fire

Burners

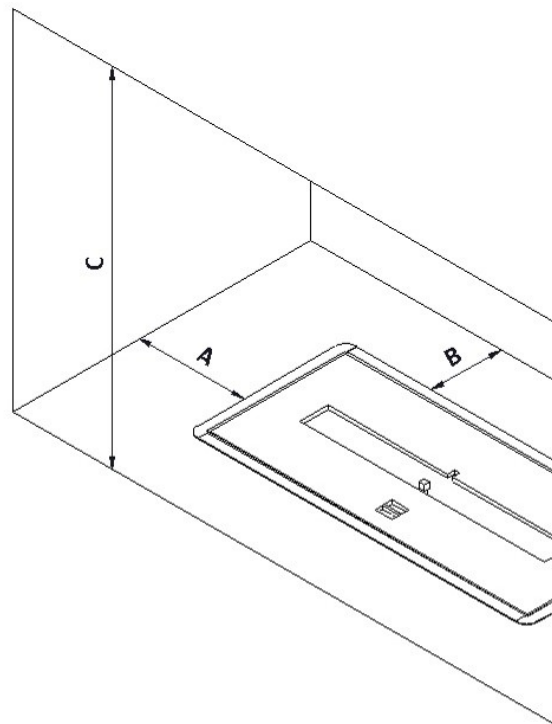
Burner III

Flammable materials

- Do not place flammable materials near the fireplace, within 1m;
- Racks or shelves should be distant:
 - From fireplaces: 500 mm;
 - From burners: 1 m;

5.3—Materials: stone/metal/ceramics

- A – 150 mm;
- B – 100 mm;
- C – 500 mm;



GlammFire

Recuperadores Pachinha Lda.
Zona Industrial da Lagoa, Lote G1
4950-850 CORTES – MONÇÃO
PORTUGAL

Tel(+351) 251 654 800
Fax(+351) 251 654 801
info@glammfire.com
www.glammfire.com

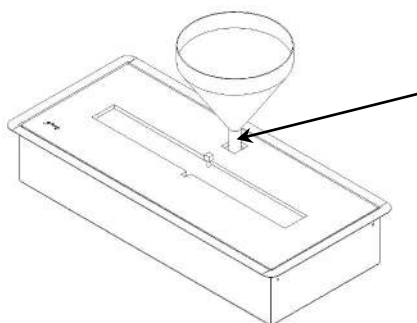
Burners

GlammFire

Burner III

Utilization

Fuel Filling

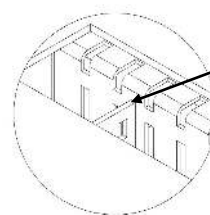
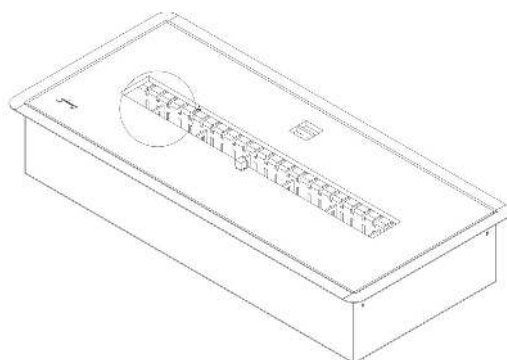


To filling the burner you have to push down the feeder.

Then you have a small opening to put bioethanol. When you finish the process let it go and the feeder closed.

This system is completely safety because only allows insert fuel when the flame goes off.

Advisable maximum filling



Bioethanol:
Maximum
level

We advise to all users to fill the burner only to the bars mark (like you can see in the picture)
Its capacity is define to support 3 litres.

Acender / Desligar

Após o carregamento do combustível deve abrir o fecho e atear a chama com o isqueiro ou com a própria chave (humedecer a chave no bioetanol e atear fogo com o isqueiro).

Para desligar basta apenas deslocar o fecho com o auxílio da chave para a posição off.

CONSELHOS :

- Se a chama não se apagar da primeira vez que fechar a tampa faça-o mais energicamente.
- É aconselhável deixar a tampa entreaberta para evitar a condensação dos gases libertados.

GlammFire

Recuperadores Pachinha Lda.
Zona Industrial da Lagoa, Lote G1
4950-850 CORTES - MONÇÃO
PORTUGAL

Tel(+351) 251 654 800
Fax(+351) 251 654 801
info@glammfire.com
www.glammfire.com



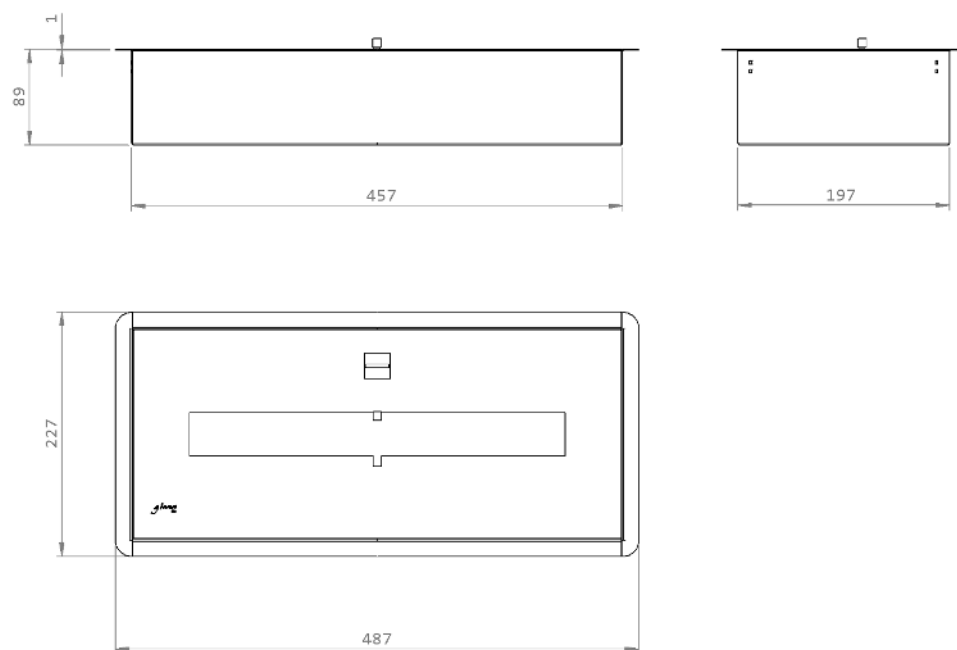
glamm
fire

GlammFire

Burners

Burner III

Overall dimensions



GlammFire

Recuperadores Pachinha Lda.
Zona Industrial da Lagoa, Lote G1
4950-850 CORTES - MONÇÃO
PORTUGAL

Tel(+351) 251 654 800
Fax(+351) 251 654 801
info@glammfire.com
www.glammfire.com

PT02614-D

glamm
fire