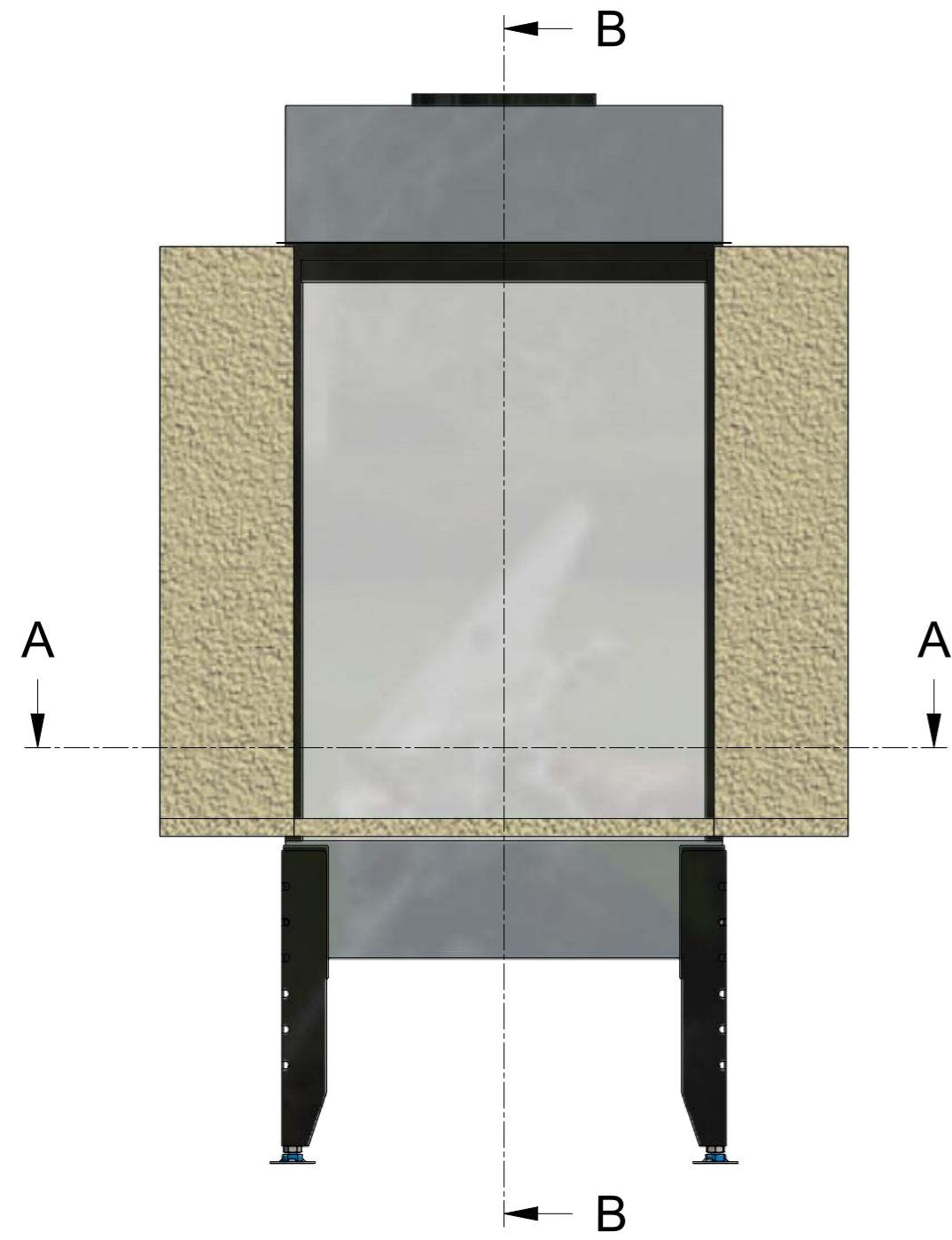
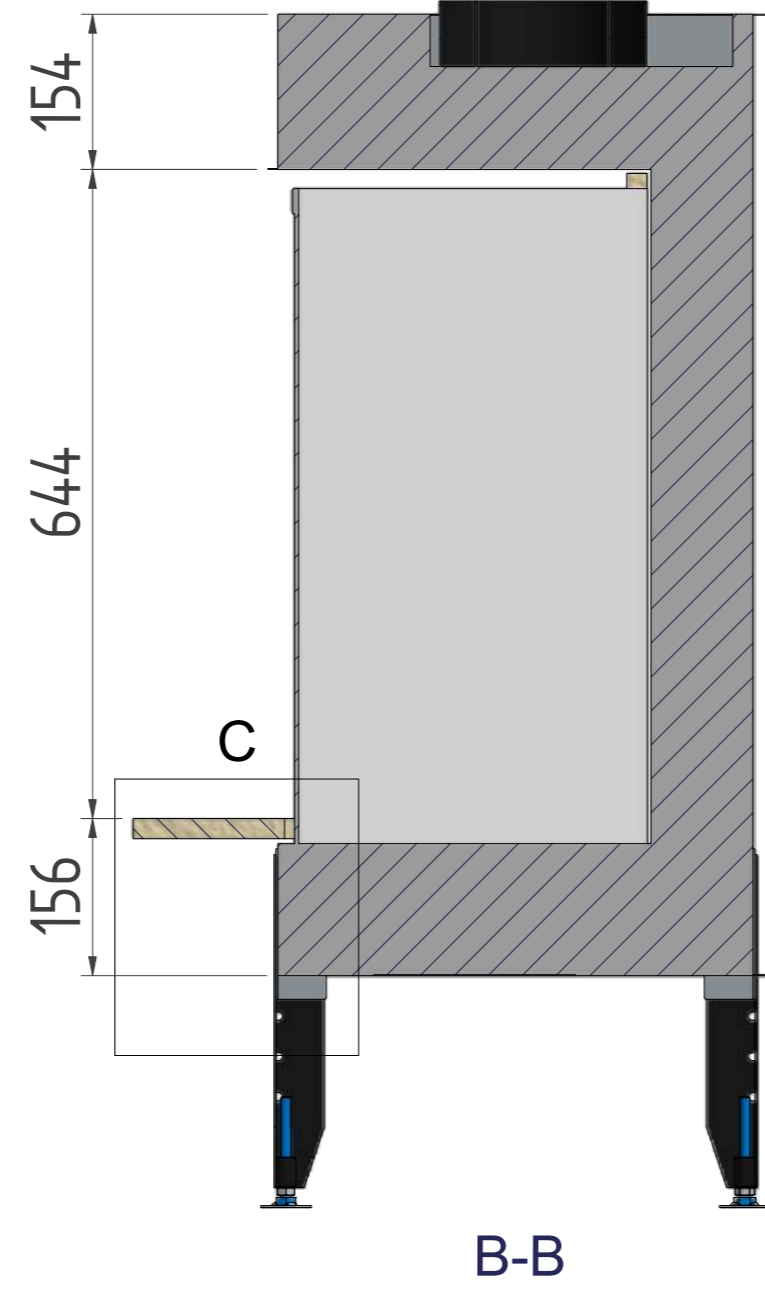


Frame Type 1 - True Vision 550 DC

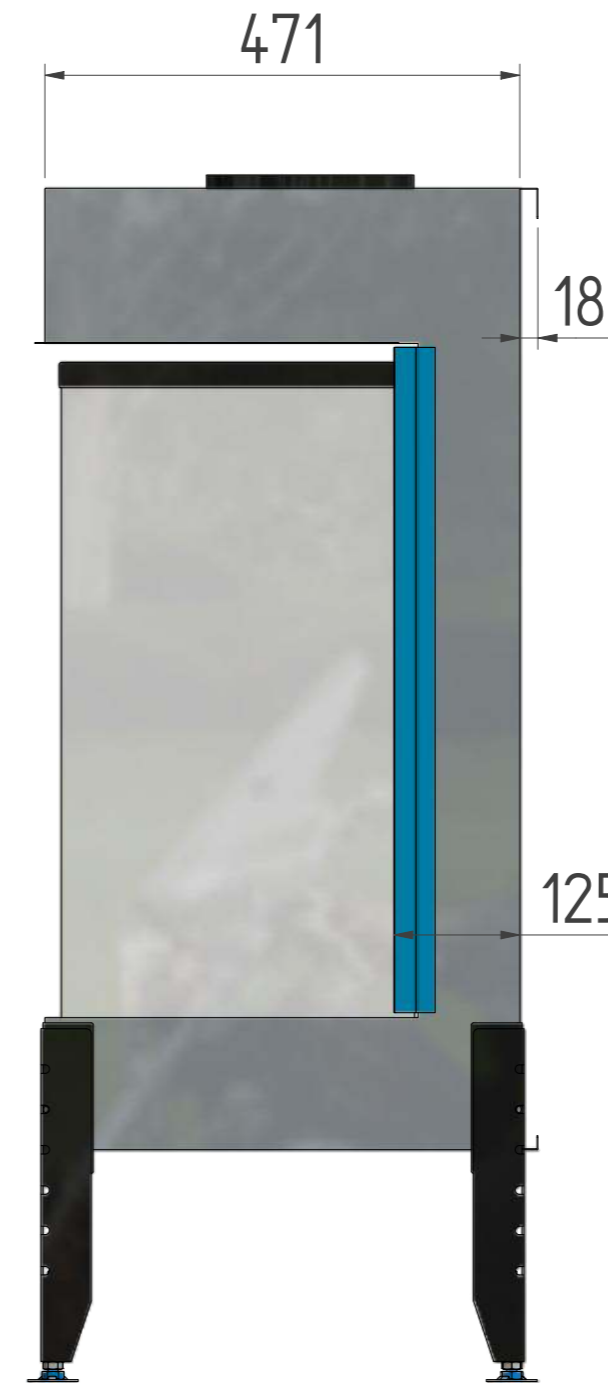
without 4th sided frame and frame



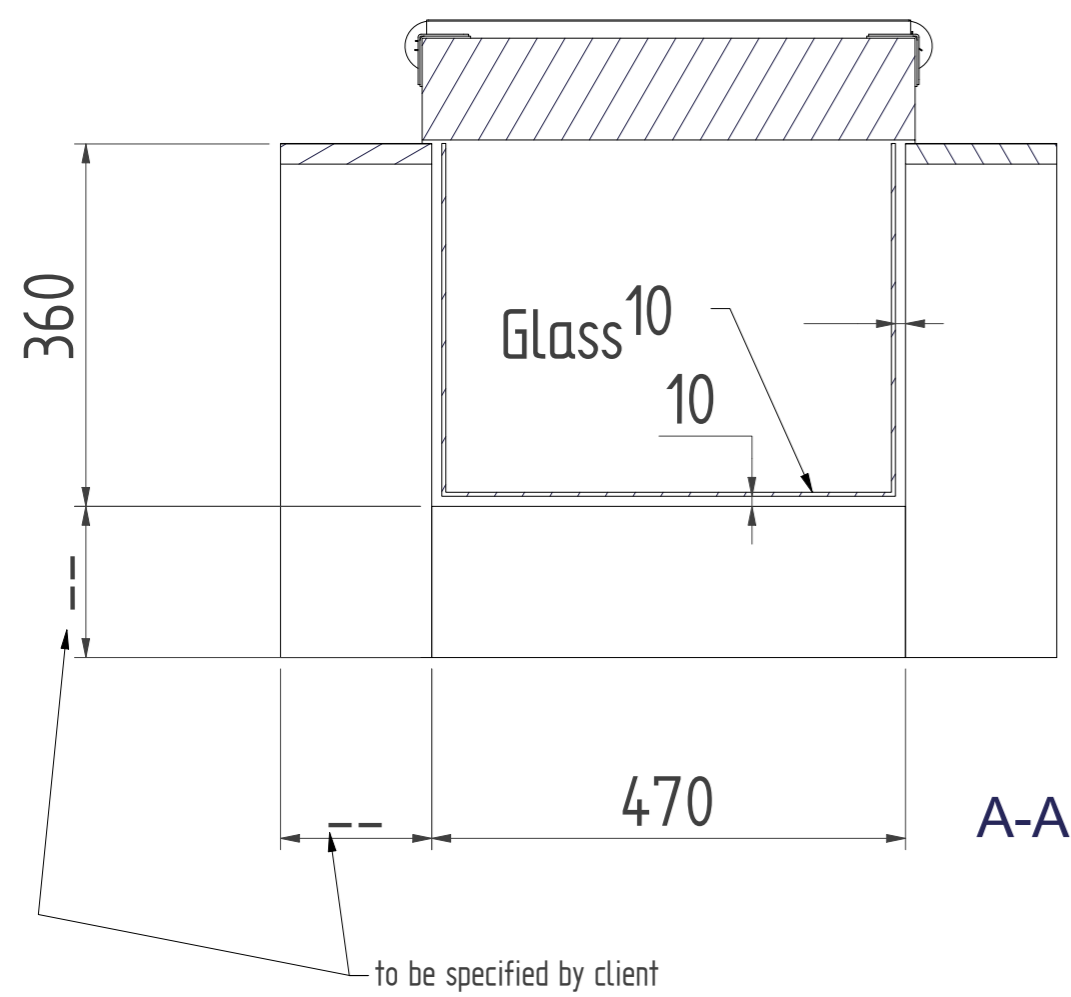
Natural stone cutout



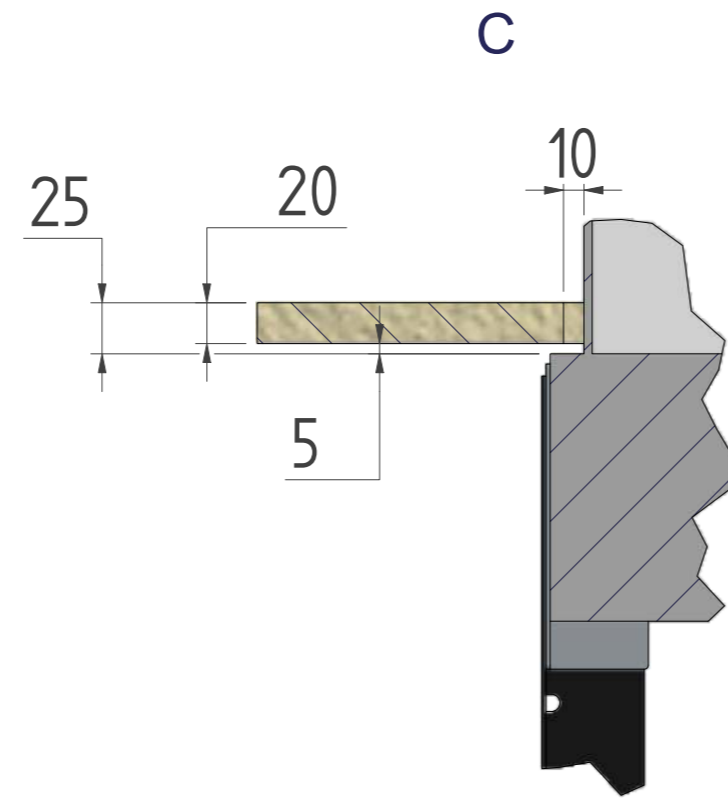
B-B



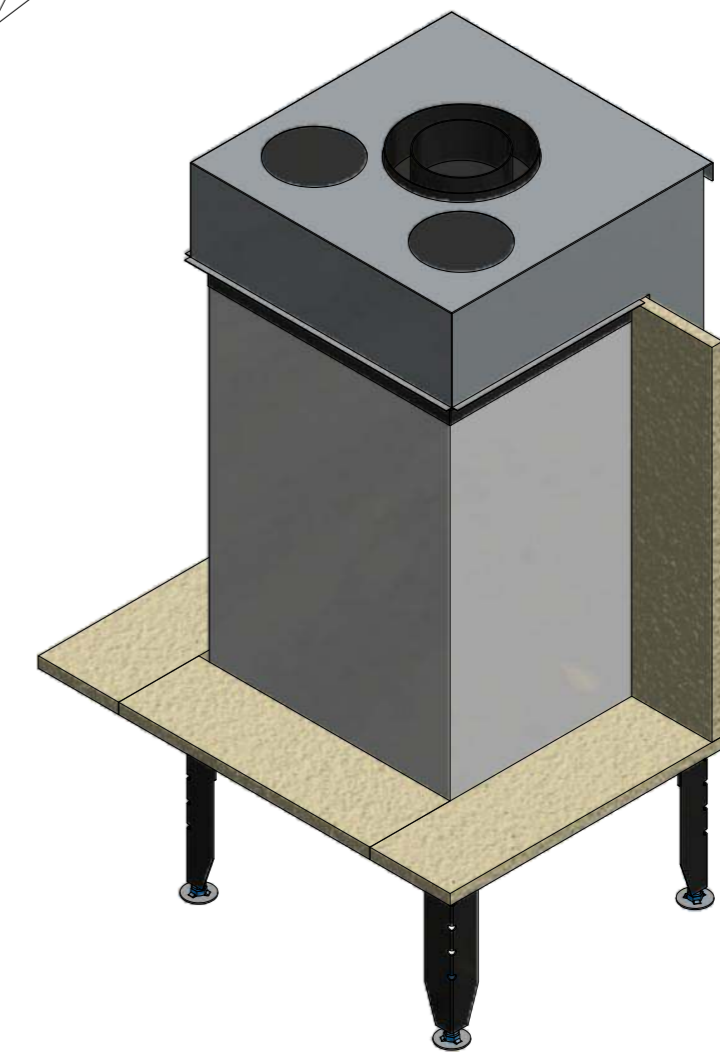
Remove 2 sided frames



A-A

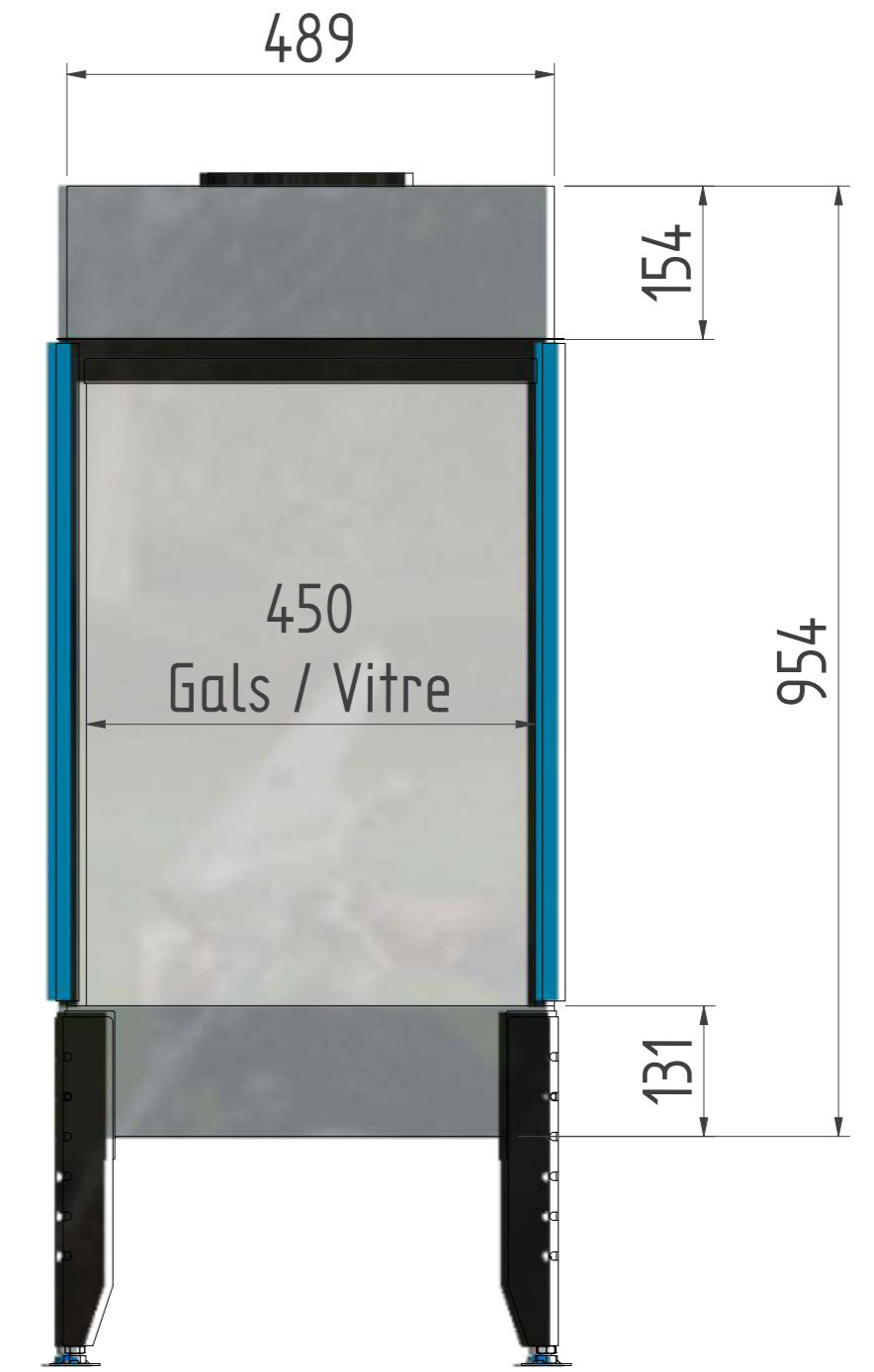
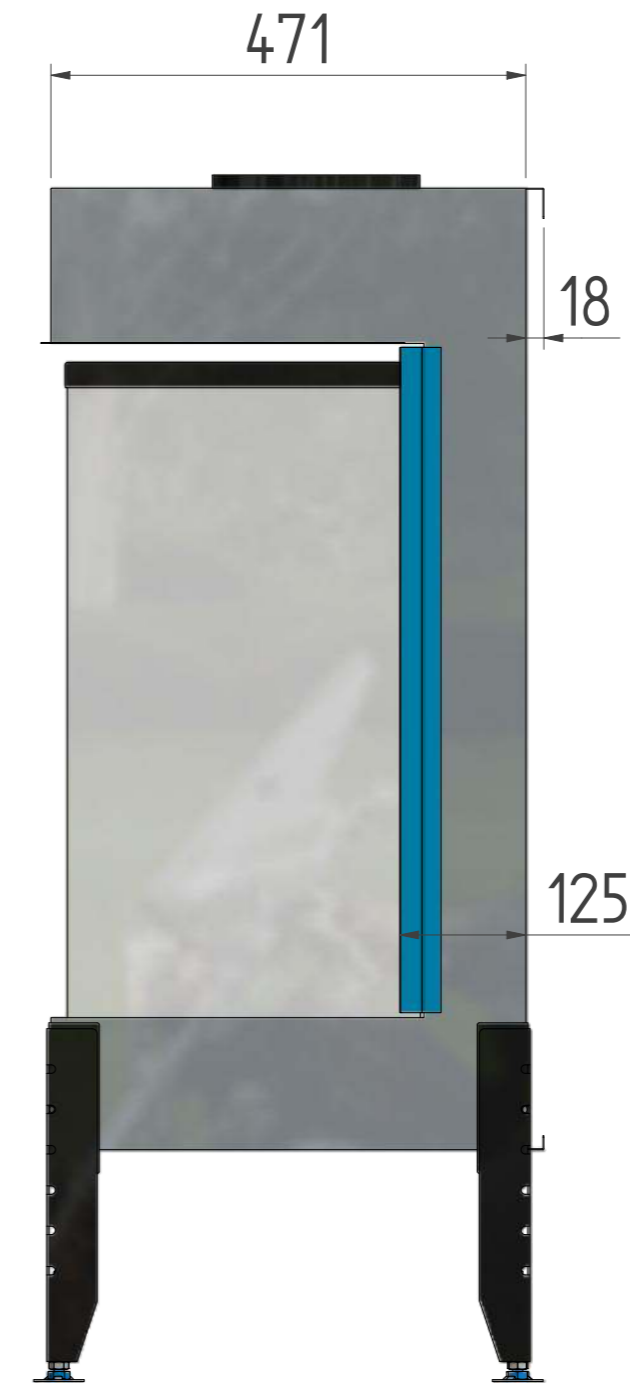
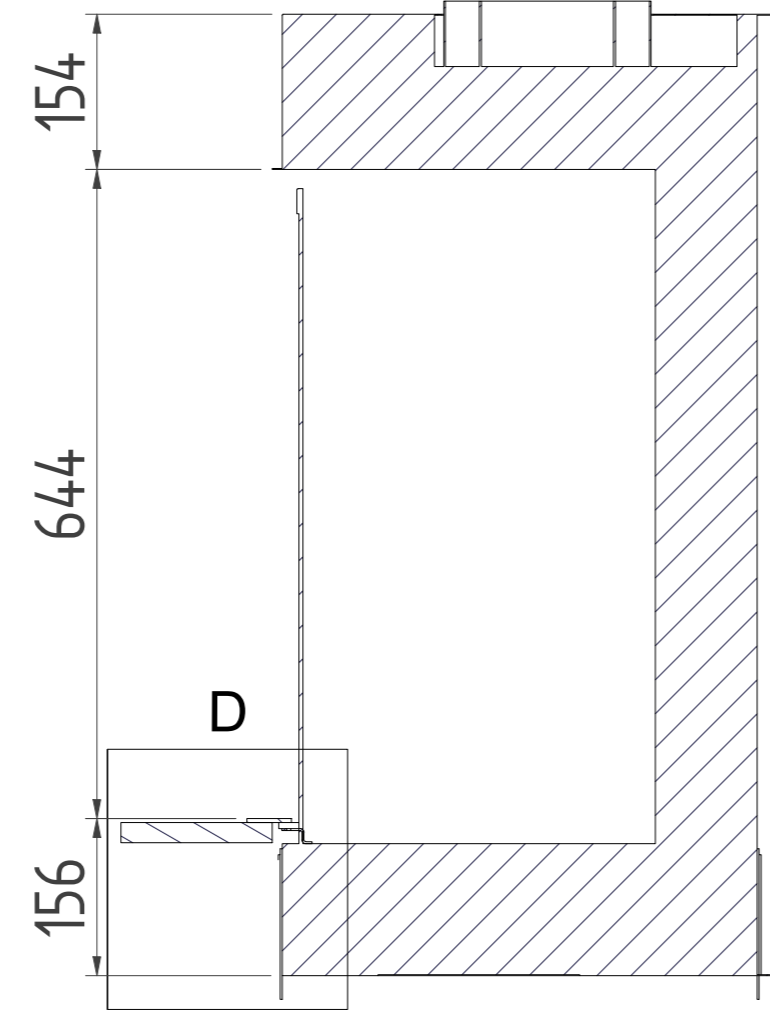
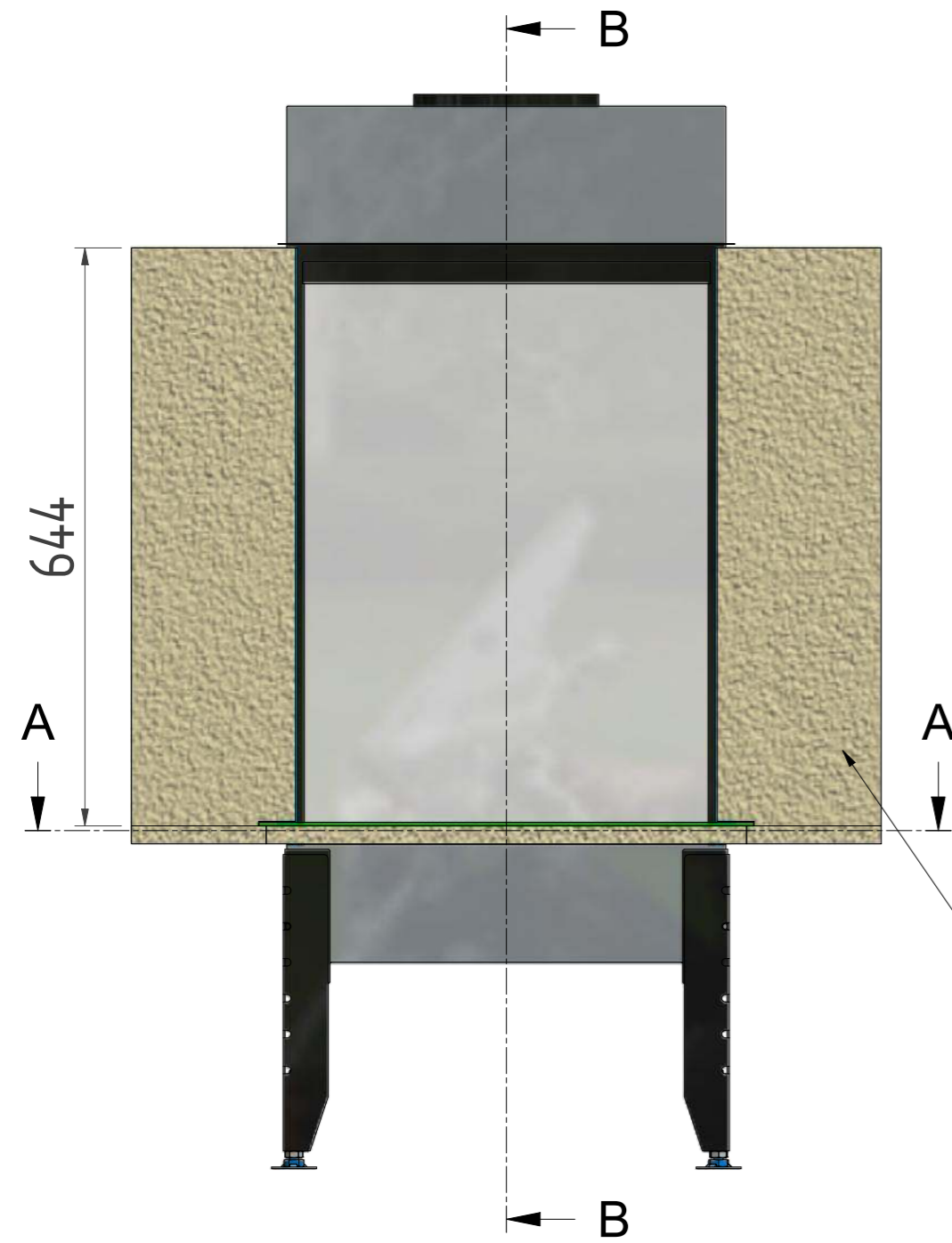


C

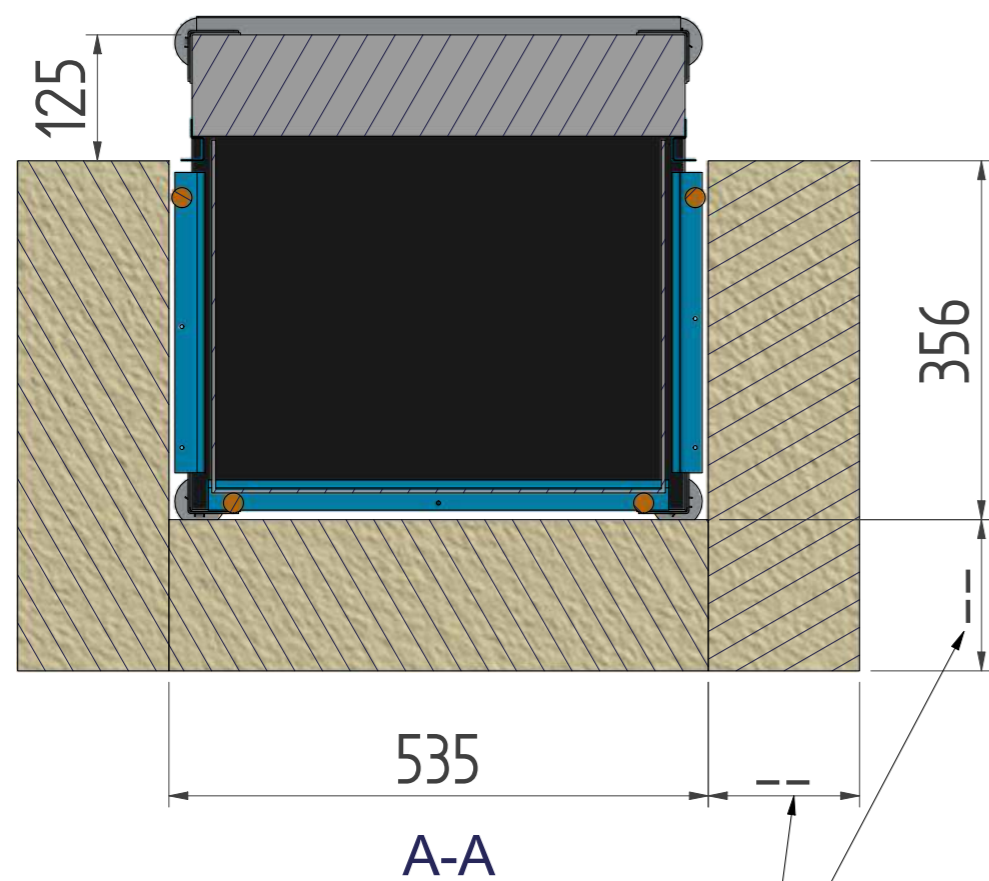


Frame Type 2 - True Vision 550 DC

Installation only with 4th sided frame

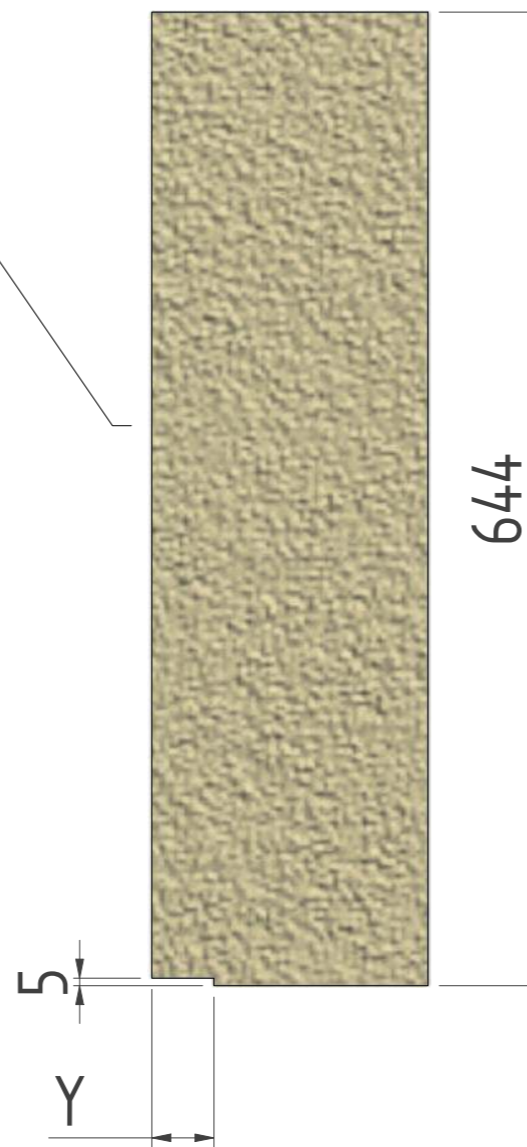


Natural stone cutout



tto be specified by client

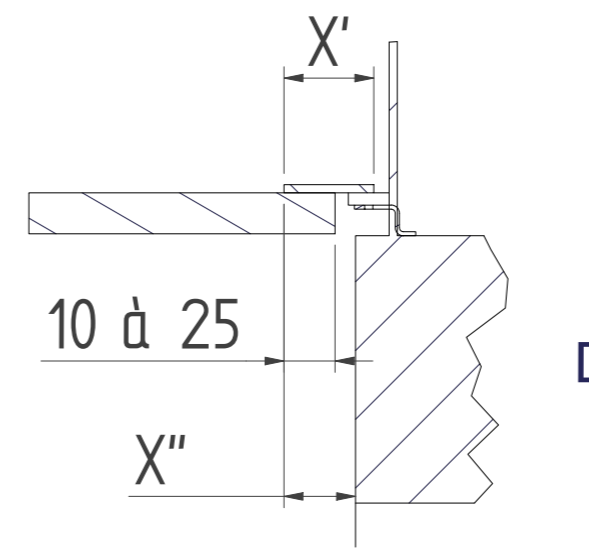
E (1:3)



Cutout

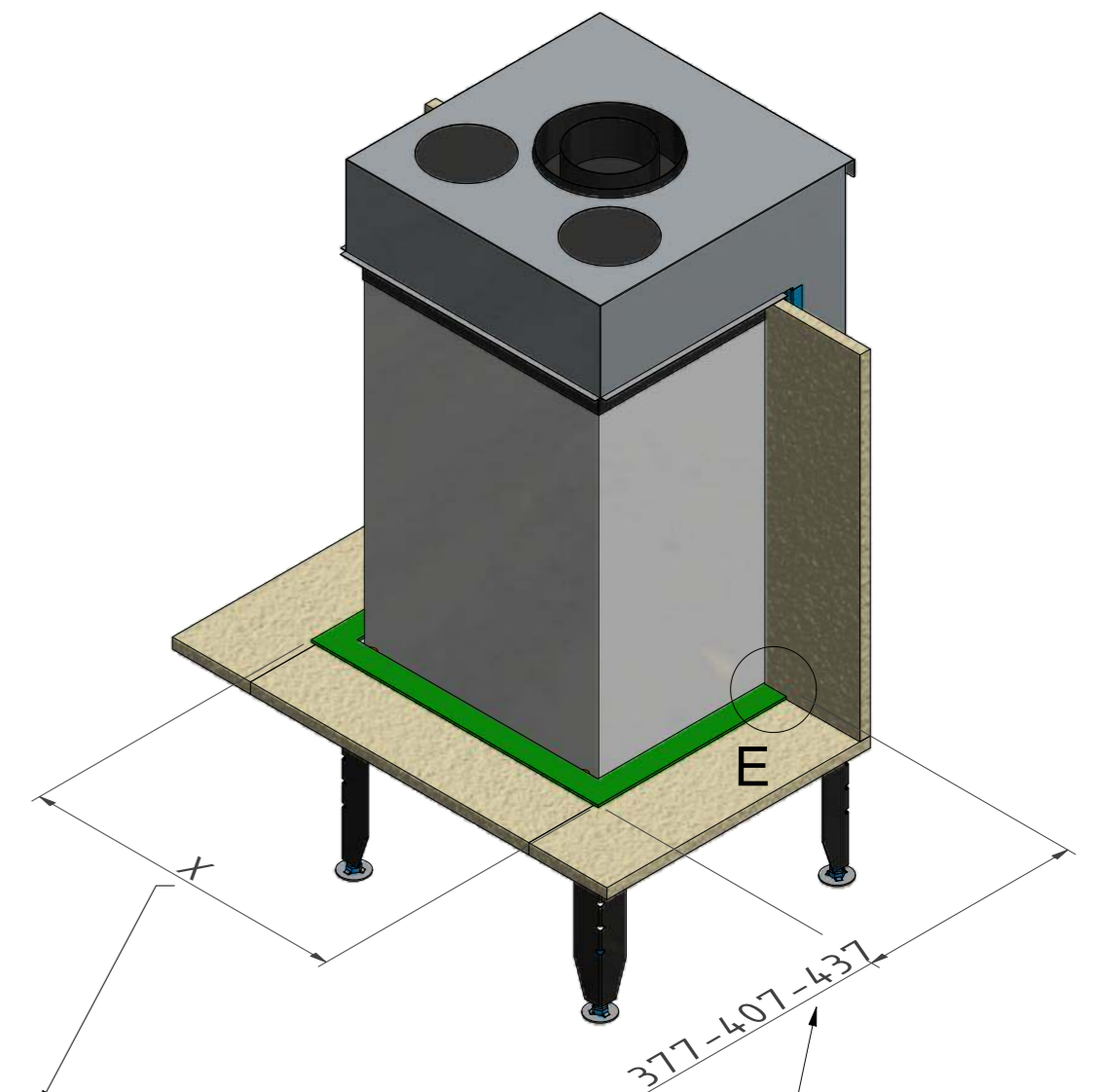
Frame 30mm : Y = 41mm
 Frame 60mm : Y = 71mm
 Frame 90mm : Y = 101mm

4th sided frame 30mm : X' = 44mm
 4th sided frame 60mm : X' = 74mm
 4th sided frame 90mm : X' = 94mm



4th sided frame 30mm : X'' = 35mm
 4th sided frame 60mm : X'' = 65mm
 4th sided frame 90mm : X'' = 95mm

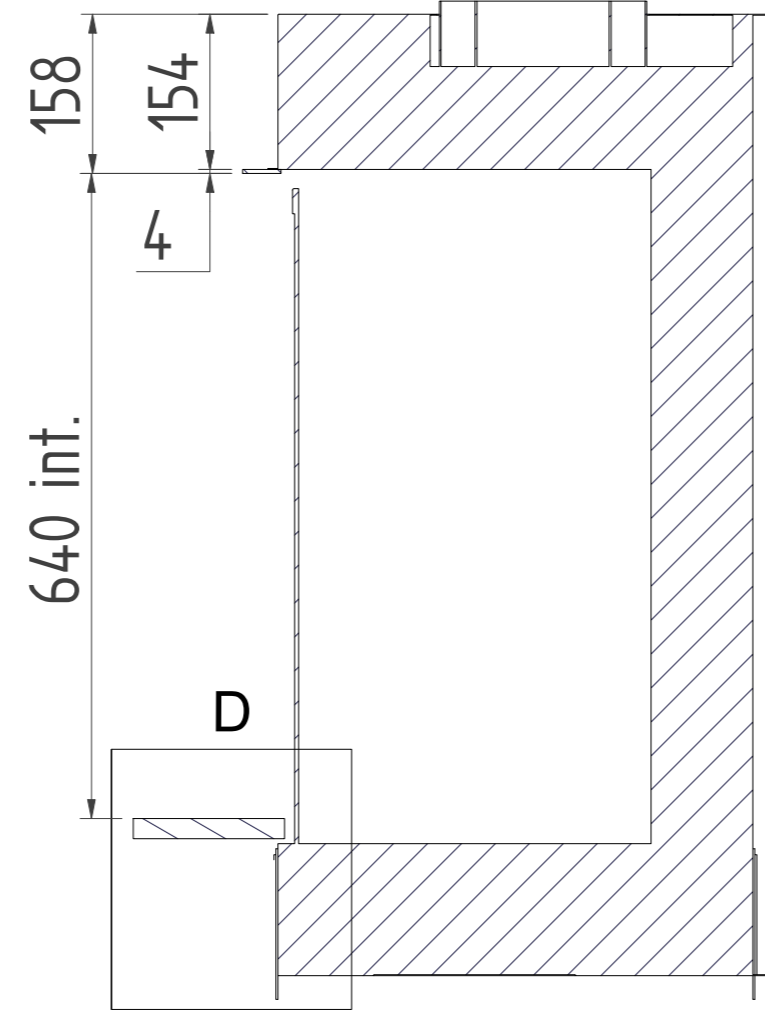
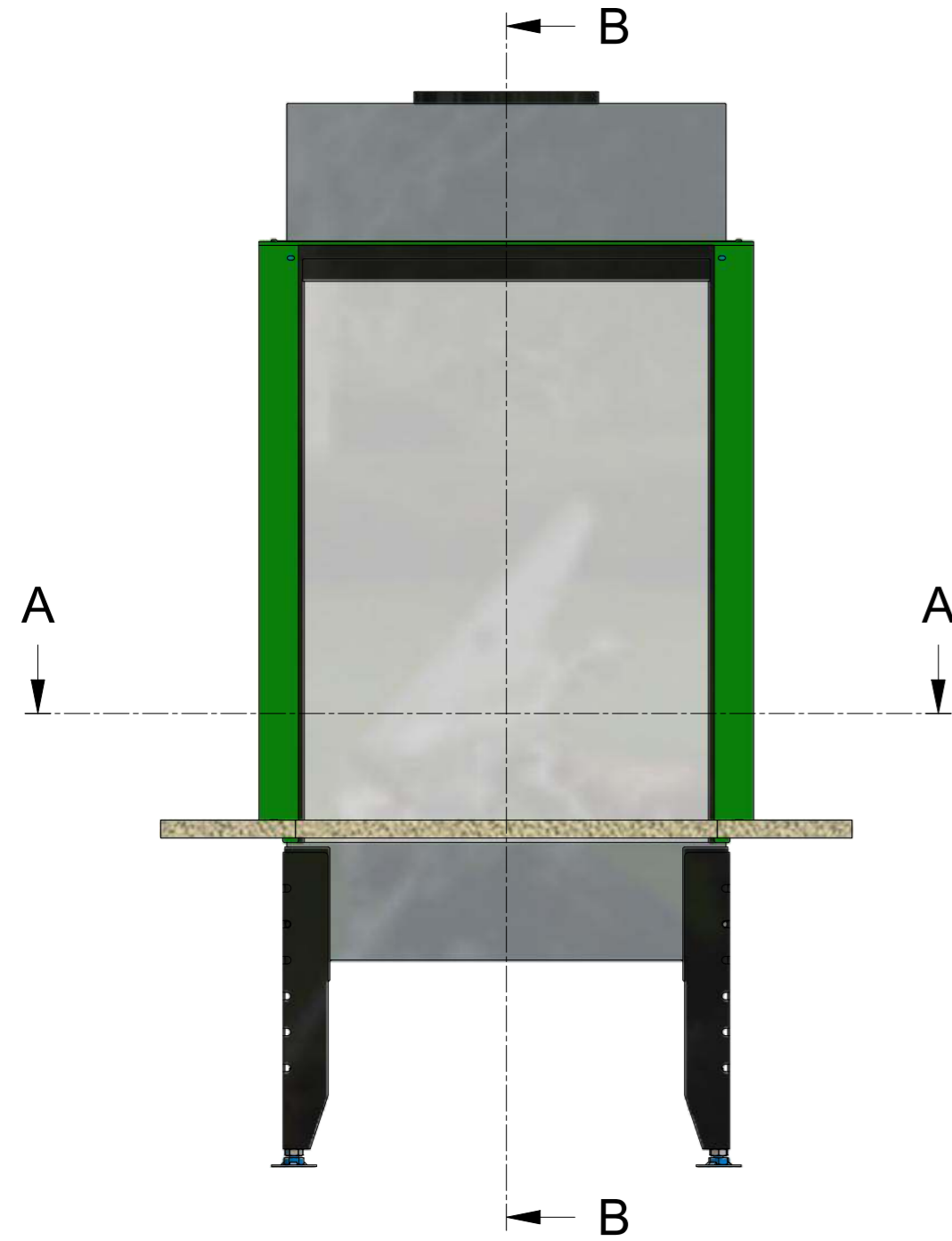
4th sided frame 30mm : X = 551mm
 4th sided frame 60mm : X = 611mm
 4th sided frame 90mm : X = 671mm



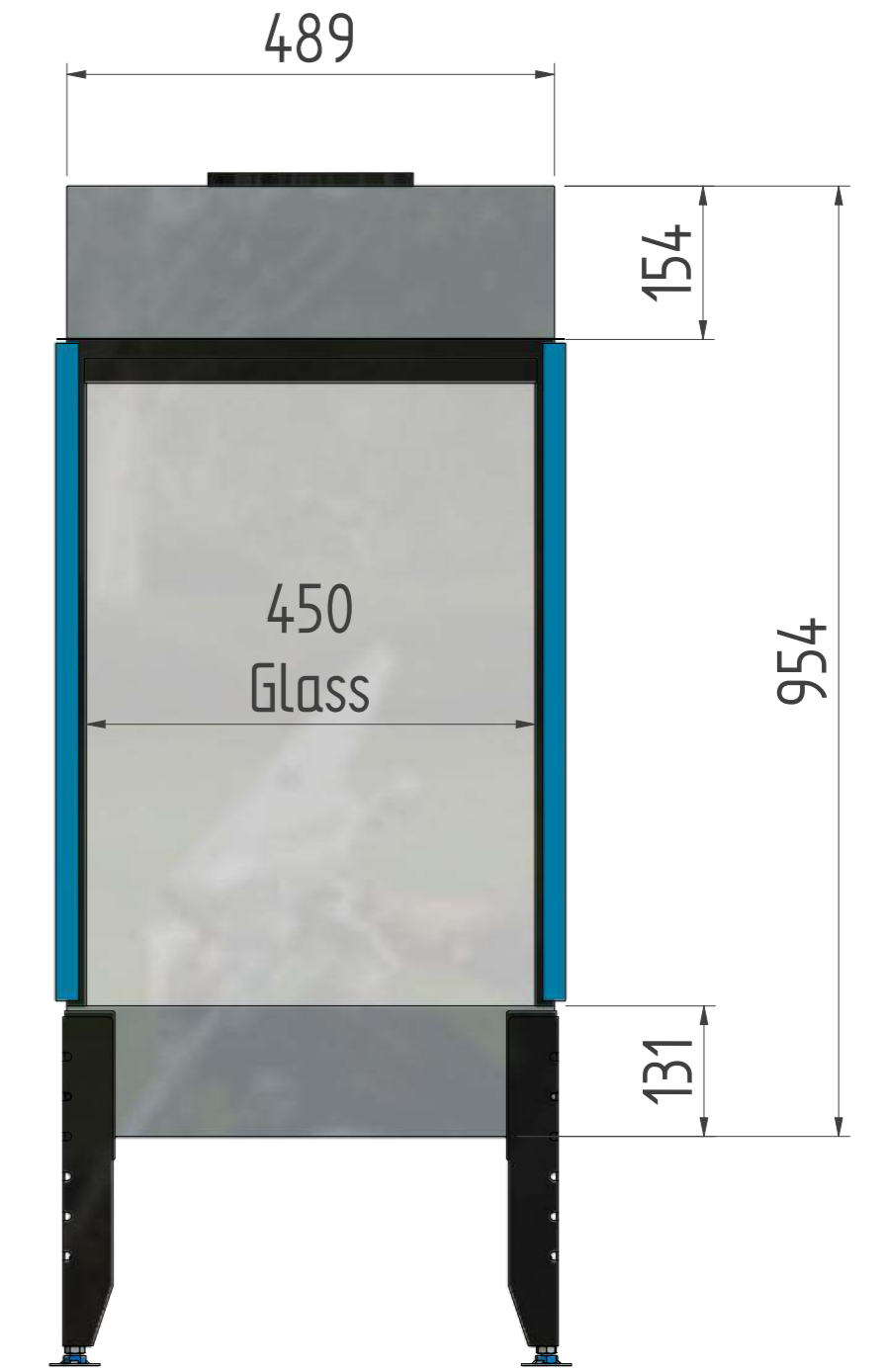
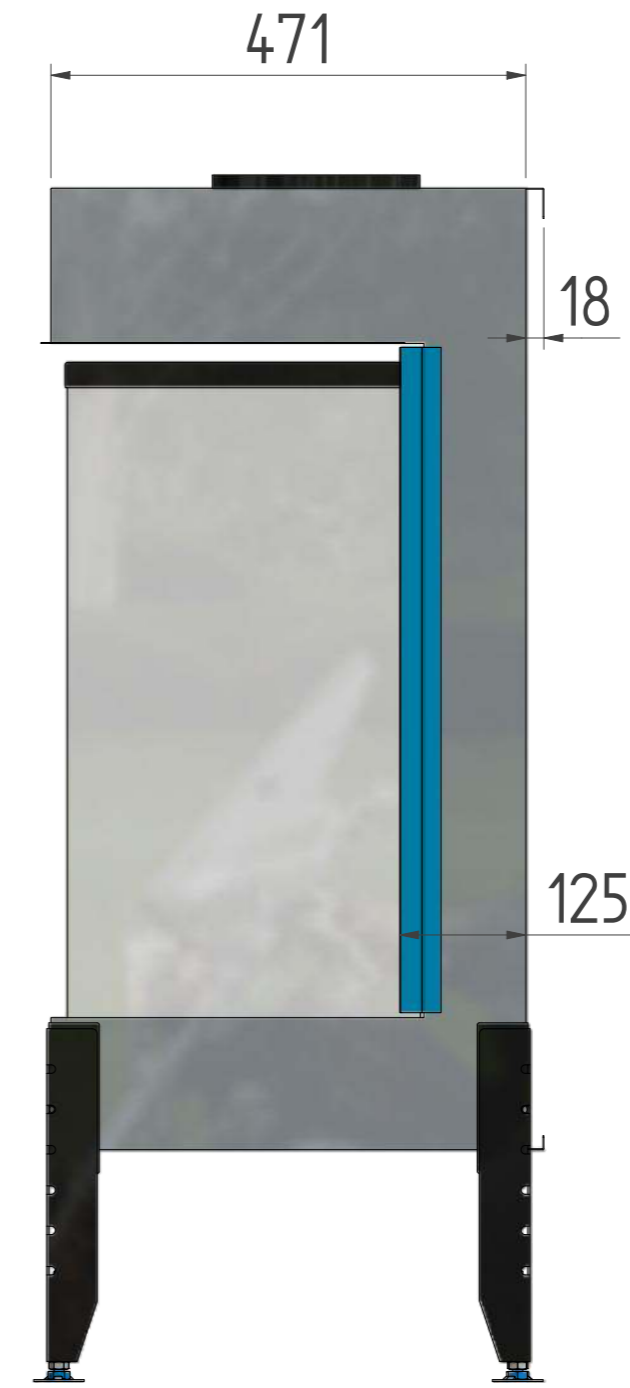
4th sided frame 30-60-90

Frame Type 3 - True Vision 550 DC

Installation 3-sided frame (no 4th sided frame, finition 'against' the window)

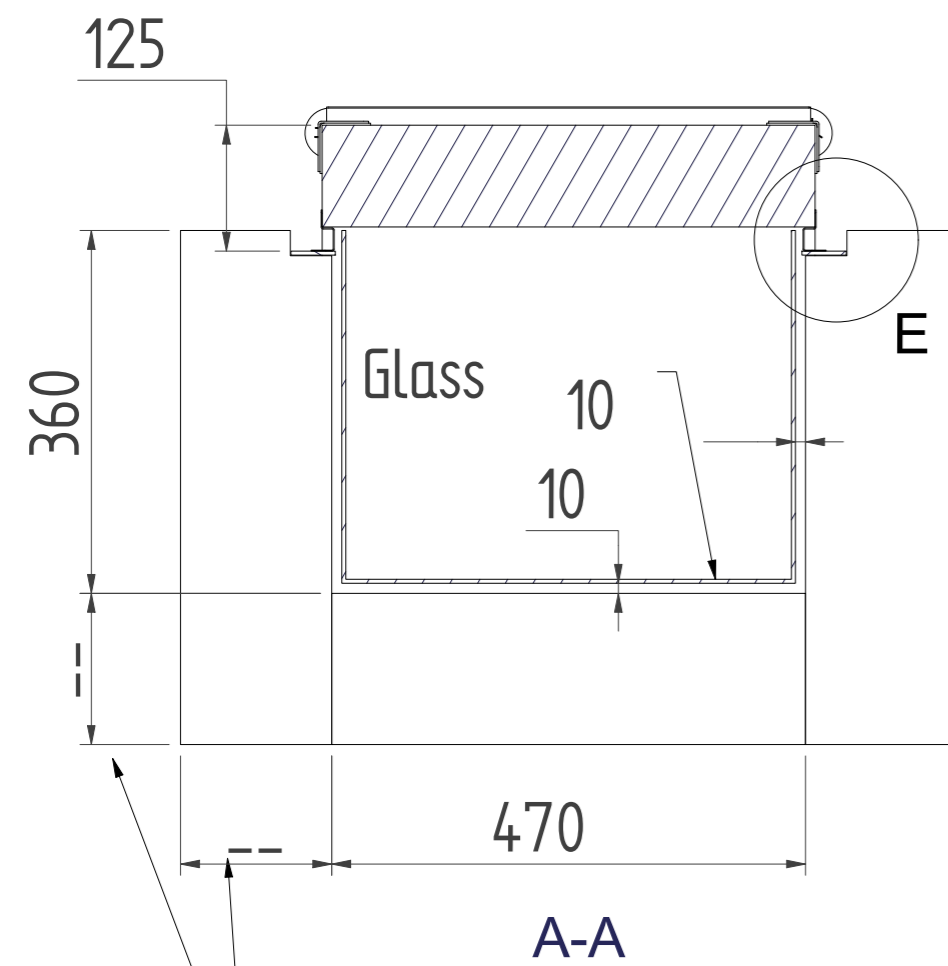


B-B



natural stone cutout

distance between glass and stone : 10mm!!

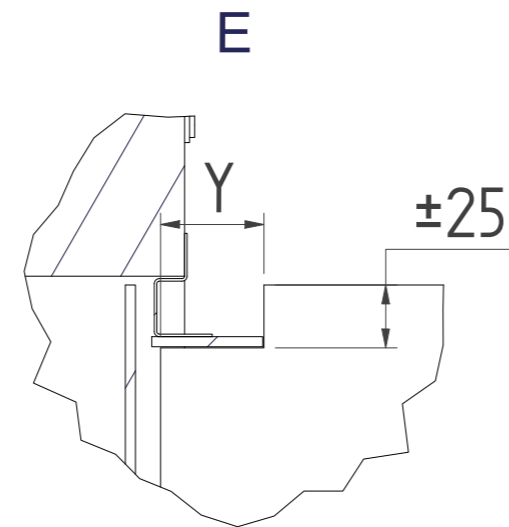


A-A

to be specified by client

Cutout

- Frame 30mm : Y = 41mm
- Frame 60mm : Y = 71mm
- Frame 90mm : Y = 101mm



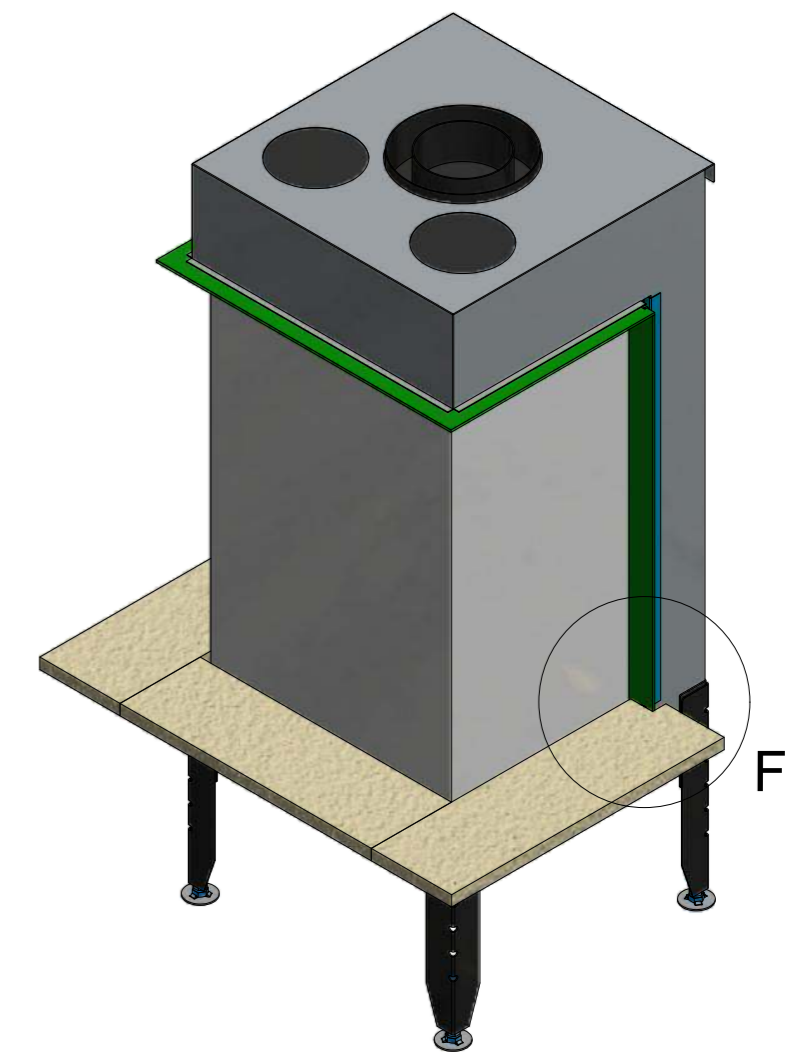
±25

156

25

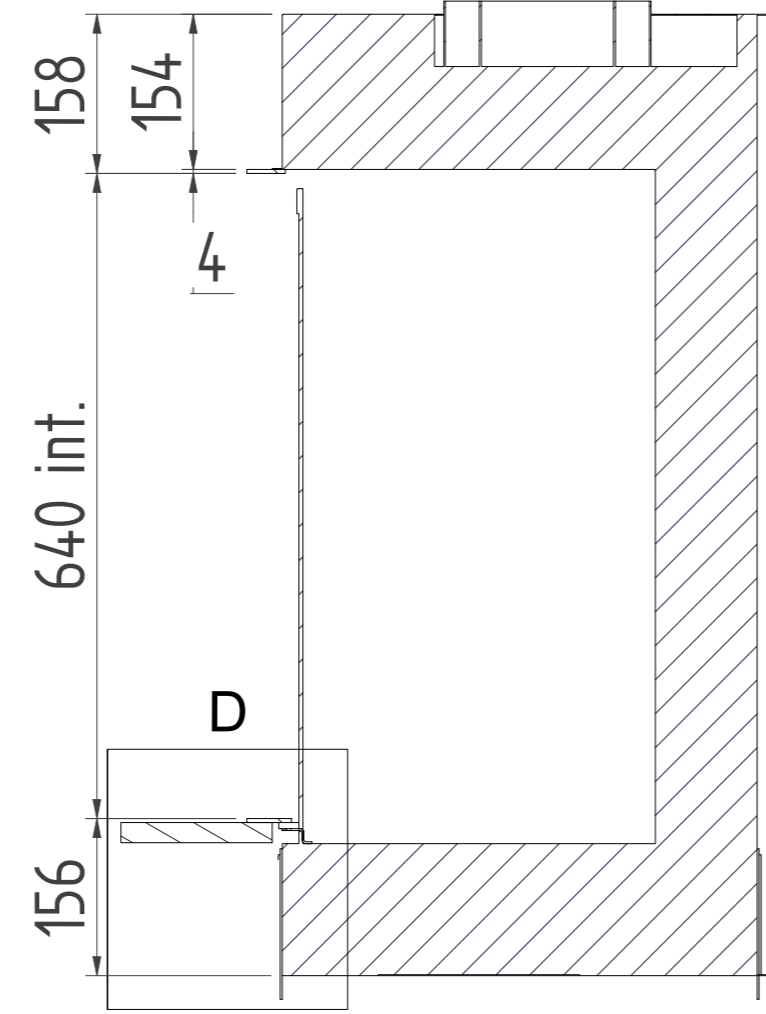
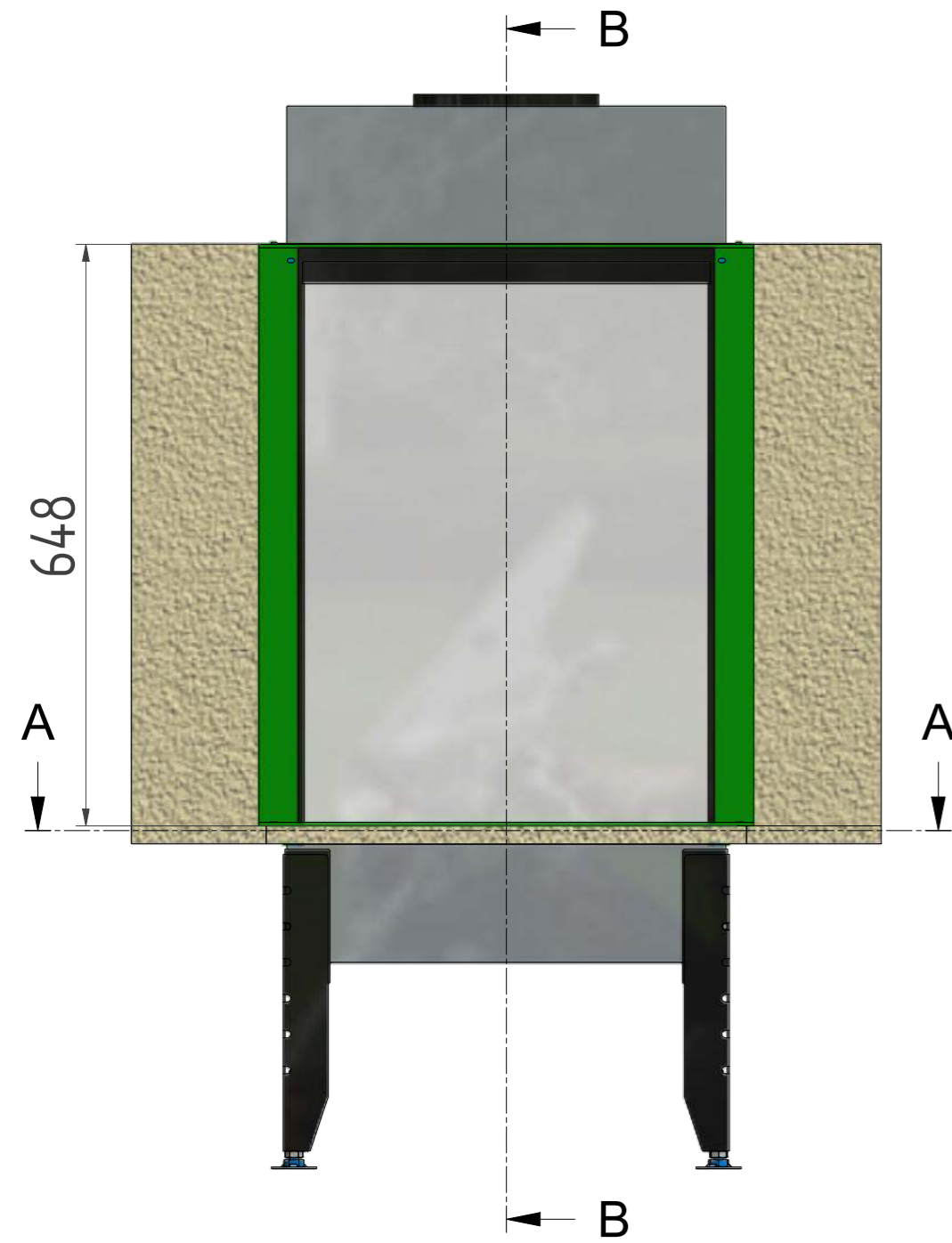
20

10

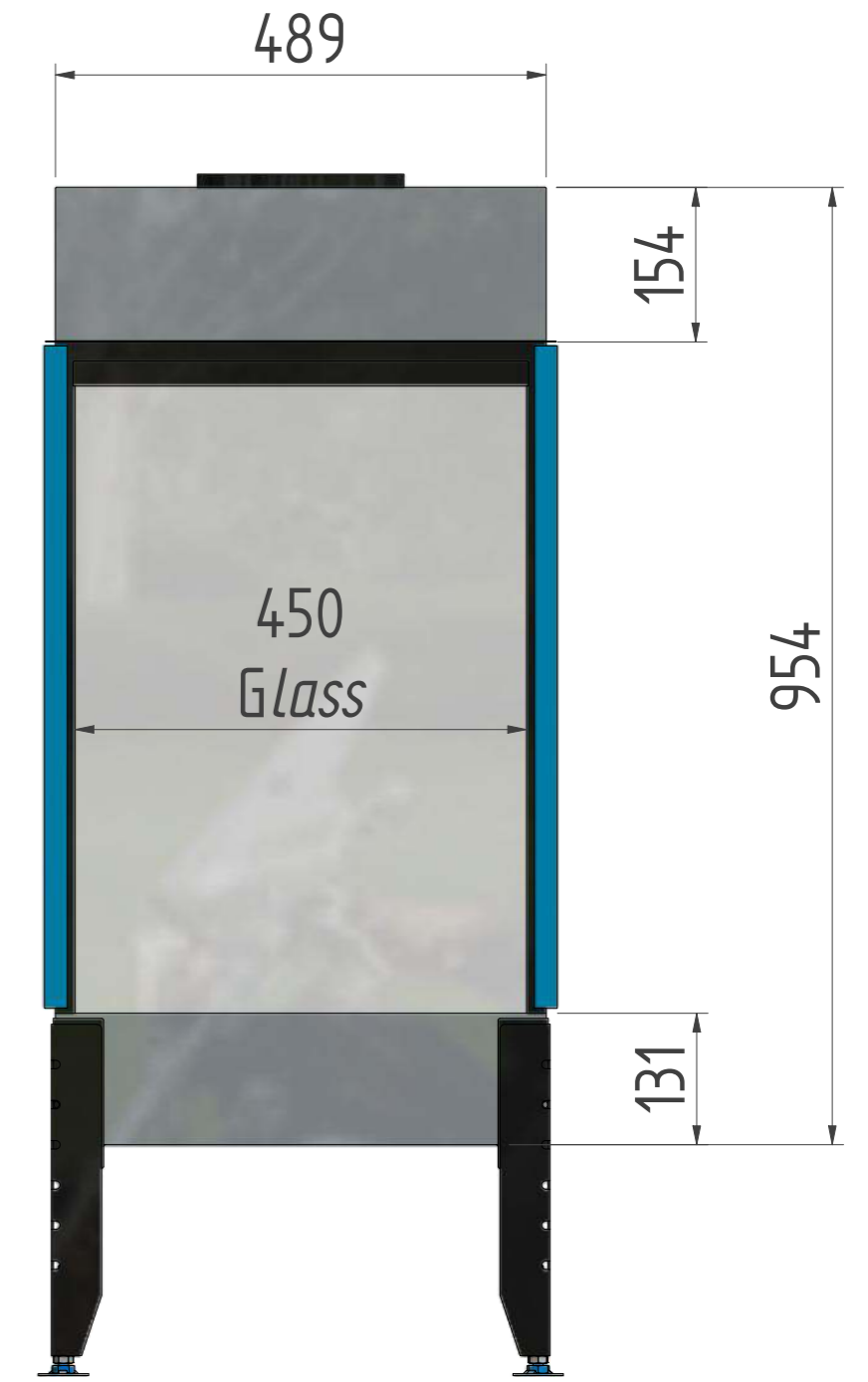
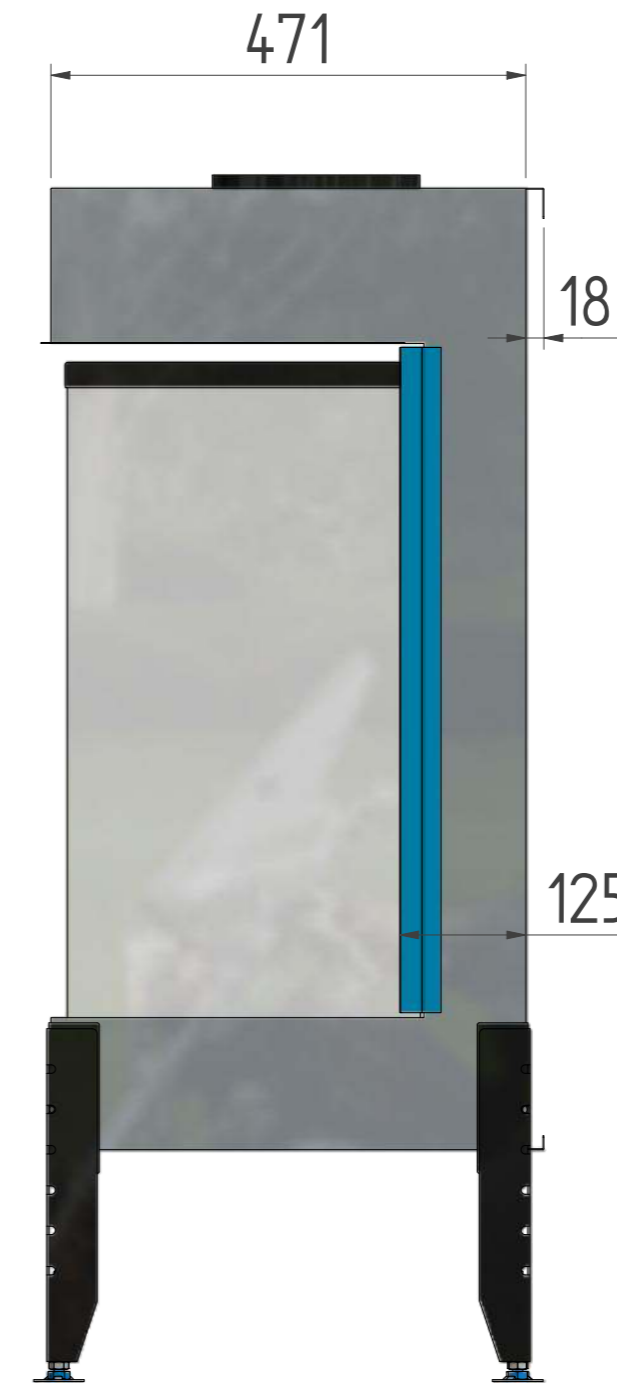


Frame Type 4 - True Vision 550 DC

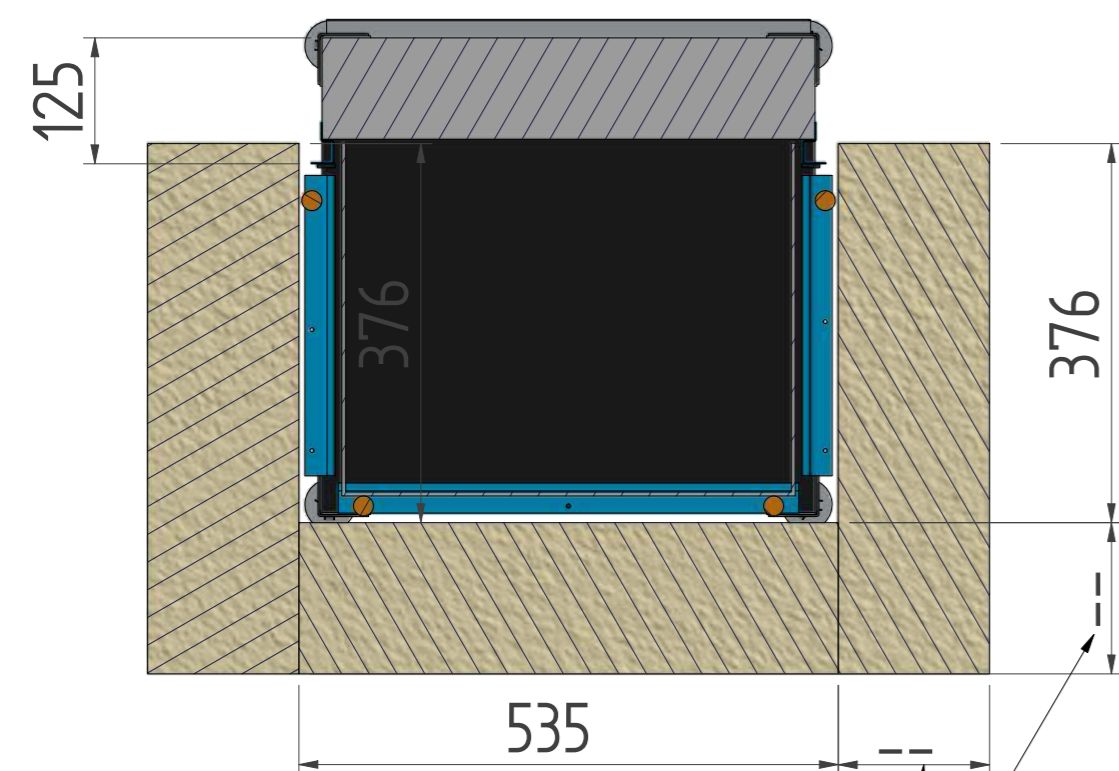
Installation 4-sided frame



B-B



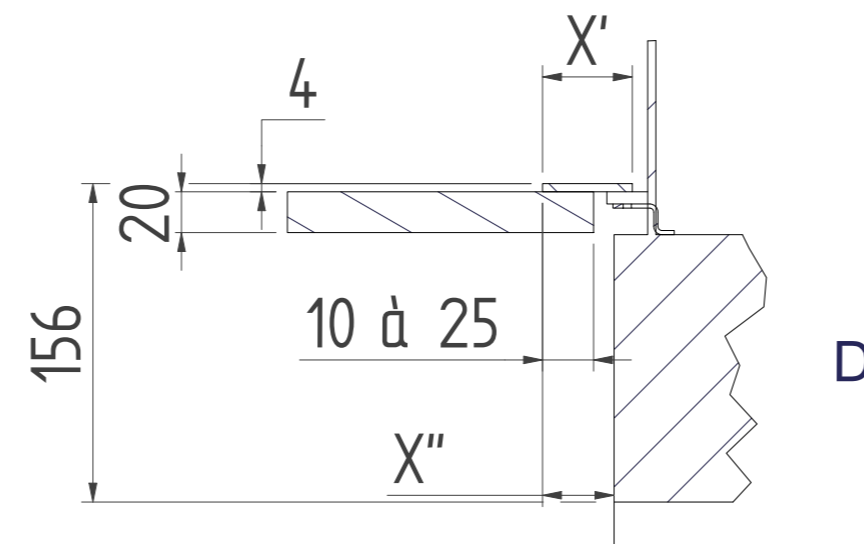
Natural stone cutout



A-A

to be specified by client

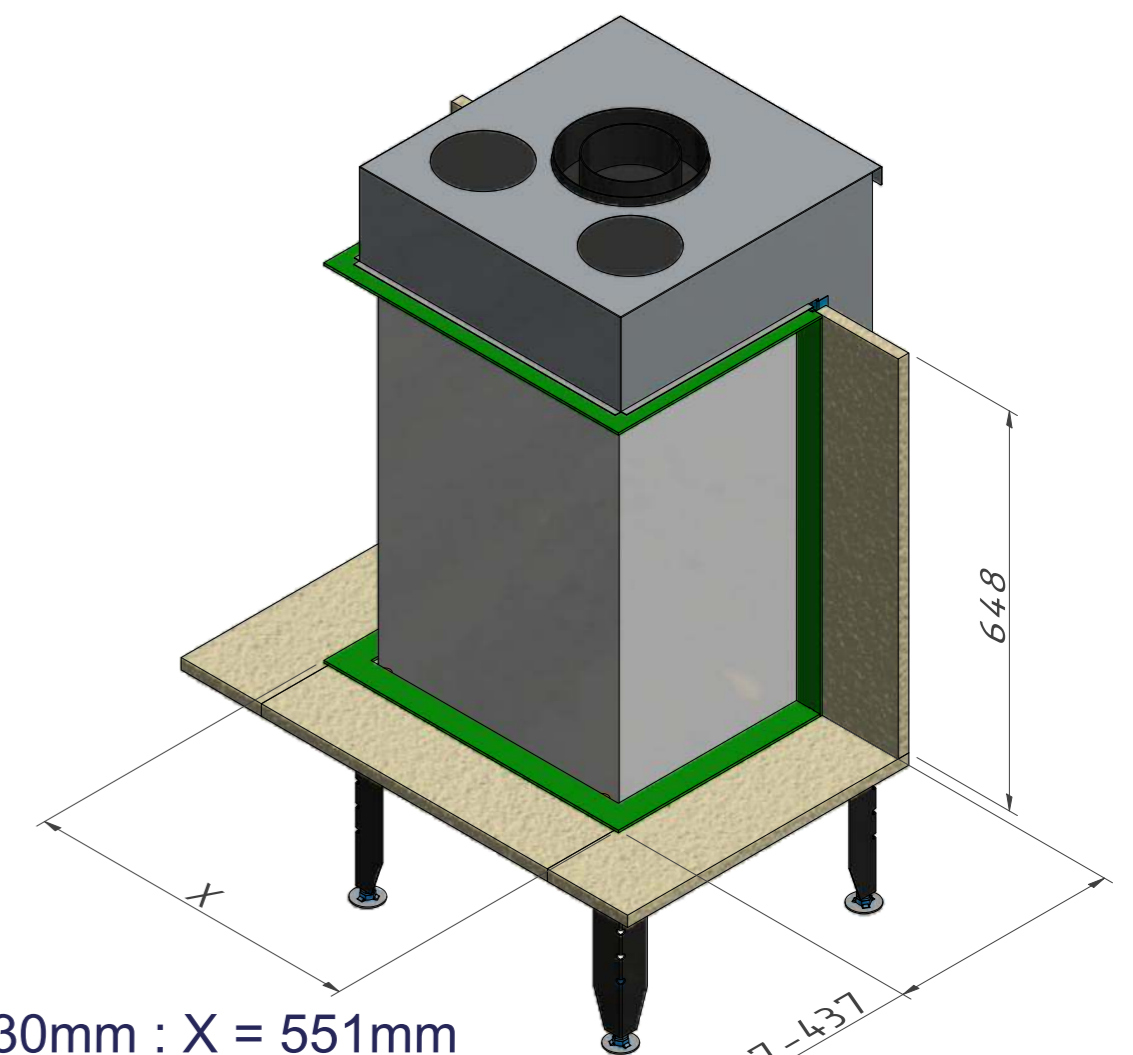
- 4th sided frame 30mm : X' = 44mm
- 4th sided frame 60mm : X' = 74mm
- 4th sided frame 90mm : X' = 94mm



D

- 4th sided frame 30mm : X'' = 35mm
- 4th sided frame 60mm : X'' = 65mm
- 4th sided frame 90mm : X'' = 95mm

- 4th sided frame 30mm : X = 551mm
- 4th sided frame 60mm : X = 611mm
- 4th sided frame 90mm : X = 671mm



4th sided frame
30-60-90