

GlammFire

GlammBox

ARCHILAND

Wall Mounted Fireplaces//

Glammbox 420
Glammbox 420 DF
Glammbox 450
Glammbox 450 DF
Glammbox 770
Glammbox 770 DF
Glammbox 1150
Glammbox 1150 DF
Glammbox 1600
Glammbox 1600 DF
Glammbox 2150
Glammbox 2150 DF



With simple design and compact dimensions, the GlammBox models are pure expression of versatility. Details such as their lines, resistance of structure and quality of materials stress the personality of these models, which offer endless possibilities in terms of installation and use.

The strong connection between details and proportional balance, makes them great pieces for heating and decoration of professional projects.

Do not abdicate the sophistication of your interiors, further enhance the liveability of your spaces.

GlammFire

Recuperadores Pachinha Lda.
Zona Industrial da Lagoa, Lote G1
4950-850 CORTES - MONÇÃO
PORTUGAL

Tel(+351) 251 654 800
Fax(+351) 251 654 801
info@glammfire.com
www.glammfire.com

glamm[®]
fire

GlamFire

GlamBox



Glambox 420/Stainless Steel

OP. Finishings// Painted Black – Black Mirror



Glambox 420 DF/Stainless Steel

OP. Finishings// Painted Black



Glambox 450/Stainless Steel

OP. Finishings// Painted Black – Black Mirror



Glambox 450 DF/Stainless Steel

OP. Finishings// Painted Black

GlamFire

Recuperadores Pachinha Lda.
Zona Industrial da Lagoa, Lote G1
4950-850 CORTES – MONÇÃO
PORTUGAL

Tel(+351) 251 654 800
Fax(+351) 251 654 801
info@glammfire.com
www.glammfire.com

glamm[®]
fire

GlammFire

Glammbox Crea7ion.M



Glammbox 770/Stainless Steel

OP. Finishings// Painted Black – Black Mirror



Glammbox 770 DF/Stainless Steel

OP. Finishings// Painted Black



Glammbox 1150/Stainless Steel

OP. Finishings// Painted Black – Black Mirror



Glammbox 1150 DF/Stainless Steel

OP. Finishings// Painted Black

GlammFire

Recuperadores Pachinha Lda.
Zona Industrial da Lagoa, Lote G1
4950-850 CORTES – MONÇÃO
PORTUGAL

Tel(+351) 251 654 800
Fax(+351) 251 654 801
info@glammfire.com
www.glammfire.com

glamm[®]
fire

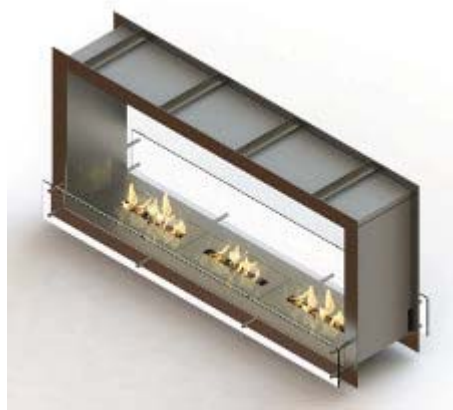
GlammFire

GlammBox



Glammbox 1600/Stainless Steel

OP. Finishings// Painted Black – Black Mirror



Glammbox 1600 DF/Stainless Steel

OP. Finishings// Painted Black



Glammbox 2150/Stainless Steel

OP. Finishings// Painted Black – Black Mirror

GlammFire

Recuperadores Pachinha Lda.
Zona Industrial da Lagoa, Lote G1
4950-850 CORTES – MONÇÃO
PORTUGAL

Tel(+351) 251 654 800
Fax(+351) 251 654 801
info@glammfire.com
www.glammfire.com



Glammbox 2150 DF/Stainless Steel

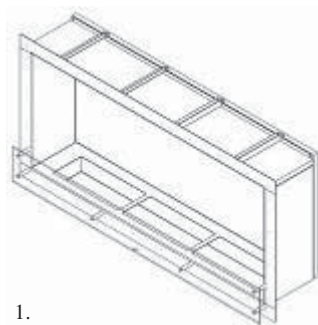
OP. Finishings// Painted Black

glamm[®]
fire

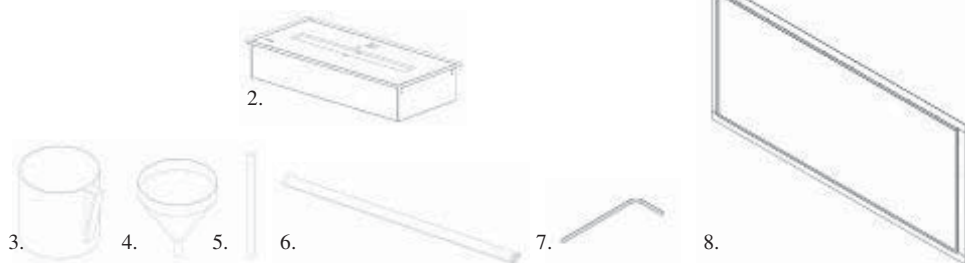
GlammFire

GlammBox

Material Supplied

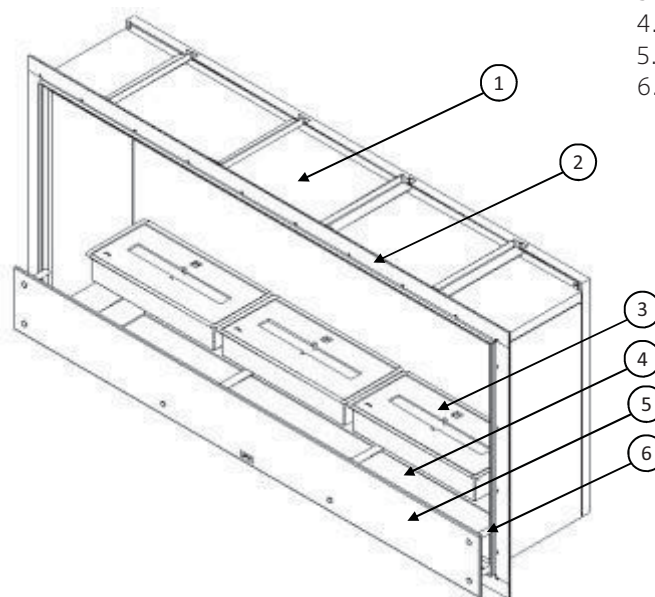


1. Fireplace;
2. Burner (s);
3. Mug;
4. Funnel;
5. Lighter;
6. CO2 Detector;
7. Key;
8. Hex Key;
9. Protective rim for finishing Wall (optional).



Components

1. Fireplace;
2. Protective rim for finishing Wall (optional);
3. Burner;
4. Tank;
5. Glass;
6. Glass supports;



GlammFire

Recuperadores Pachinha Lda.
Zona Industrial da Lagoa, Lote G1
4950-850 CORTES - MONÇÃO
PORTUGAL

Tel(+351) 251 654 800
Fax(+351) 251 654 801
info@glammfire.com
www.glammfire.com

glamm[®]
fire

GlammBox

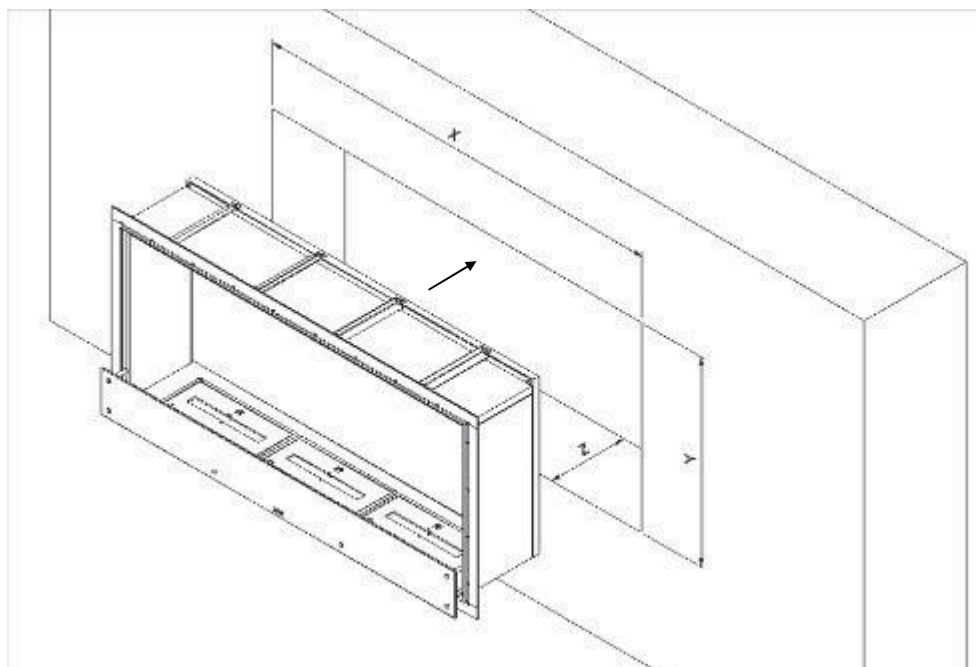
Installation

In order to ensure a safety margin with respect to the ground, it is recommended a minimum distance of 400 mm between the floor and the top of the burner;

The surface on you want to install the burner should be as level as possible.

Dimensions:

Ensure the hole where you want to place the burner has the following minimum dimensions, as shown in the figure and table below:



GlammBox	X	Y	Z	GlammBox	X	Y	Z
420	560	775	356	1150	1330	794	356
420 DF	560	775	365	1150 DF	1330	794	365
450	590	1034	356	1600	1818	895	356
450 DF	590	1034	365	1600 DF	1818	895	365
770	910	774	356	2150	2330	895	356
770 DF	910	774	365	2150 DF	2330	895	365

*dimension in millimetres

GlammFire

Recuperadores Pachinha Lda.
Zona Industrial da Lagoa, Lote G1
4950-850 CORTES - MONÇÃO
PORTUGAL

Tel(+351) 251 654 800
Fax(+351) 251 654 801
info@glammfire.com
www.glammfire.com

GlammFire

GlammBox

Flammable materials

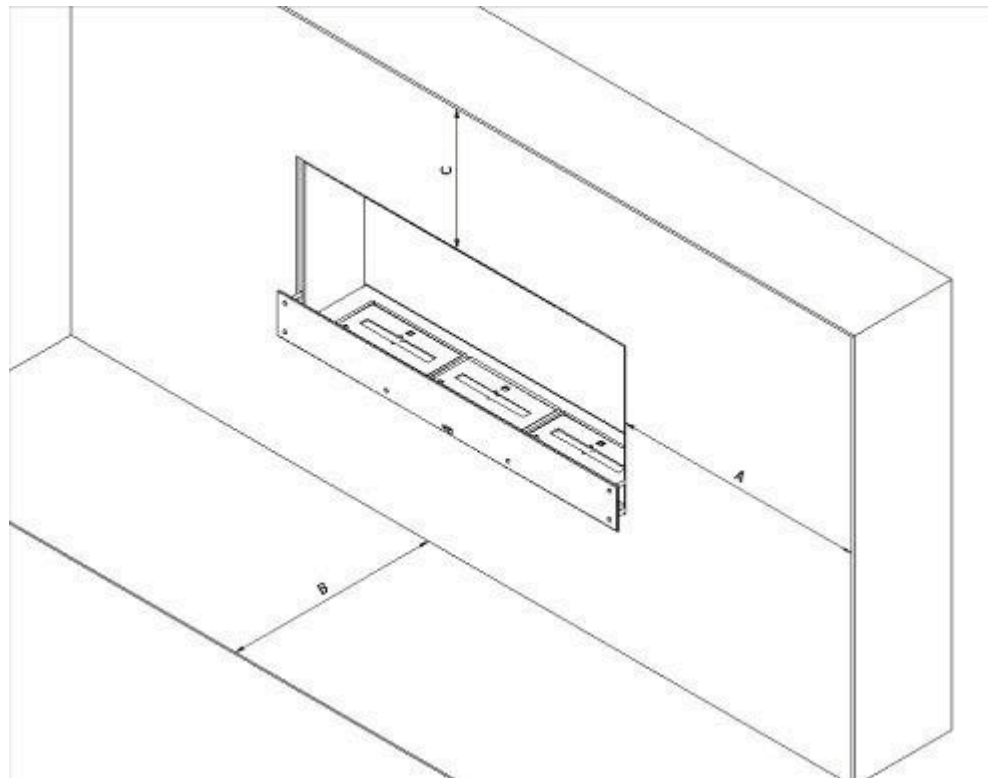
- Do not place flammable materials near the fireplace, within 1m;
- Racks or shelves should be distant:
 - From fireplaces: 500 mm;
 - From burners: 1 m;

Materials: stone/metal/ceramics

- A – 150 mm;
- B – 100 mm;
- C – 500 mm;

Other non-flammable materials

- A – 200 mm;
- B – 250 mm;
- C – 600 mm;



GlammFire

Recuperadores Pachinha Lda.
Zona Industrial da Lagoa, Lote G1
4950-850 CORTES – MONÇÃO
PORTUGAL

Tel(+351) 251 654 800
Fax(+351) 251 654 801
info@glammfire.com
www.glammfire.com

glamm[®]
fire

GlammFire

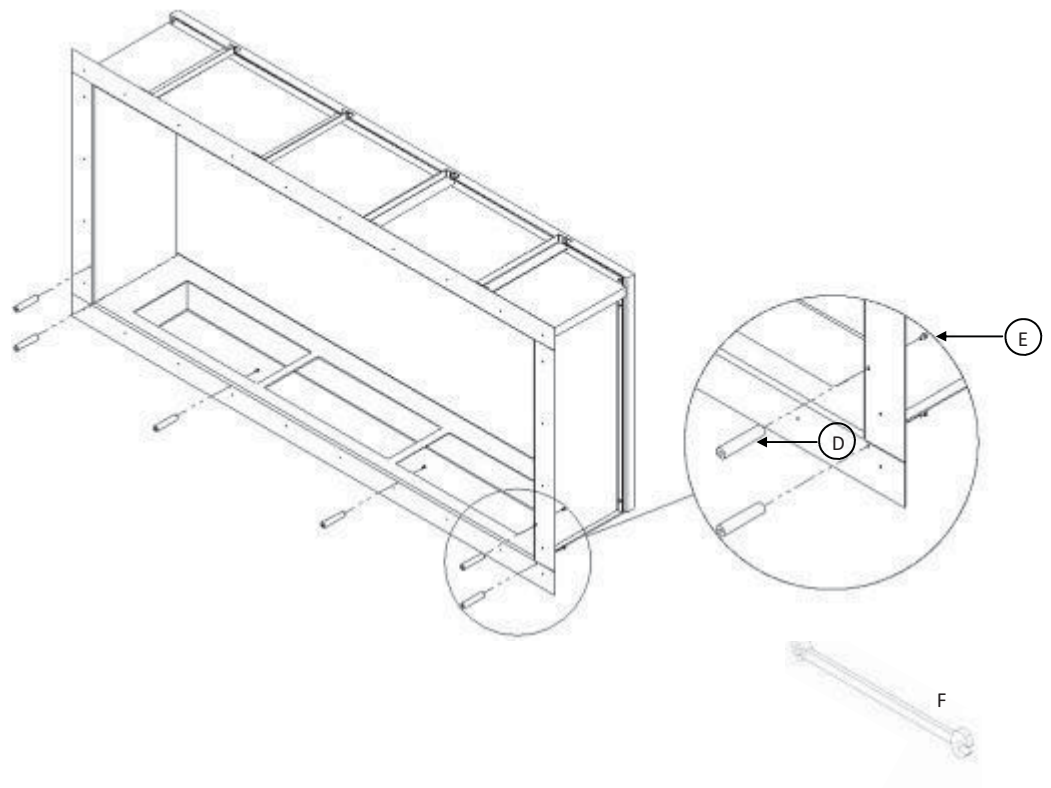
GlammBox

Installation Procedures

Very Important:

Before starting the assembly of your fireplace, do not forget to put first the base of the supports for the glass.

Screw E in D using the key F.



GlammFire

Recuperadores Pachinha Lda.
Zona Industrial da Lagoa, Lote G1
4950-850 CORTES - MONÇÃO
PORTUGAL

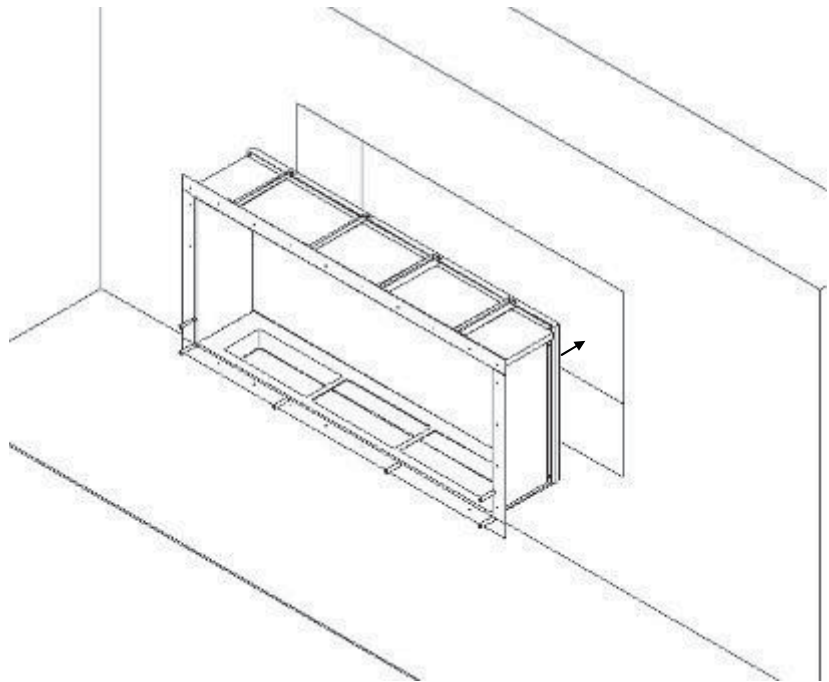
Tel(+351) 251 654 800
Fax(+351) 251 654 801
info@glammfire.com
www.glammfire.com

glamm[®]
fire

GlammFire

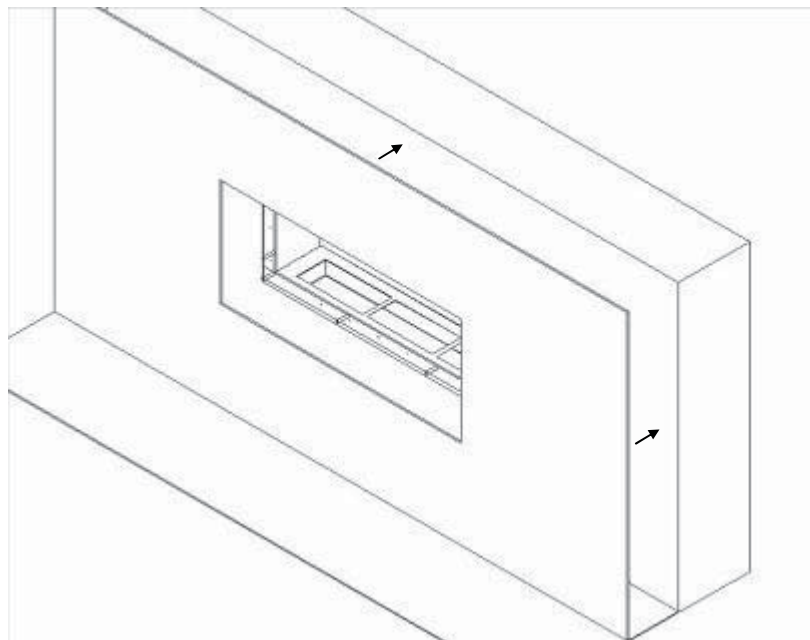
GlammBox

Place the fireplace into the hole previously made (G).
Ensure that the fireplace is perfectly level and balanced. If it is necessary use the fire-
place tab holes to get the perfect wall mounting.



G

Then apply the plasterboard (H).



H

GlammFire

Recuperadores Pachinha Lda.
Zona Industrial da Lagoa, Lote G1
4950-850 CORTES - MONÇÃO
PORTUGAL

Tel(+351) 251 654 800
Fax(+351) 251 654 801
info@glammfire.com
www.glammfire.com

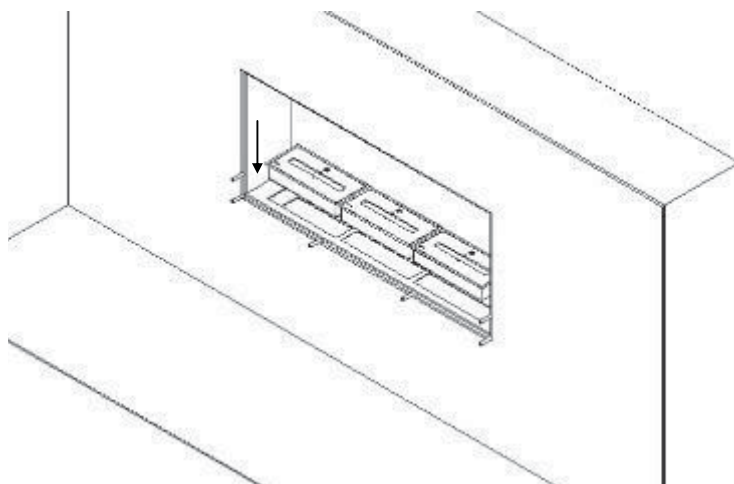
glamm[®]
fire

GlammFire

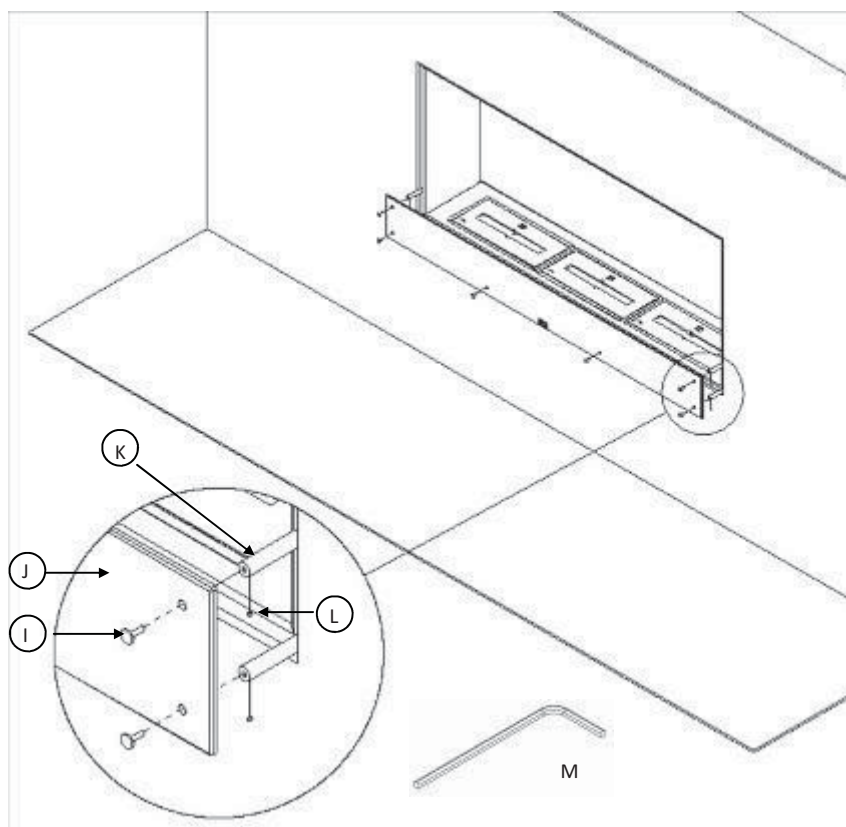
GlammBox

Take care and do not to install your fireplace near inflammable materials.

To complete the installation of your fireplace place the burner and finish the applying of glass.



To make the fixing of glass you should:
Place (I) in (K) and screw (L) in order to fix the glass (J).
To screw (L), use the supplied key (hex key) (M)



GlammFire

Recuperadores Pachinha Lda.
Zona Industrial da Lagoa, Lote G1
4950-850 CORTES - MONÇÃO
PORTUGAL

Tel(+351) 251 654 800
Fax(+351) 251 654 801
info@glammfire.com
www.glammfire.com

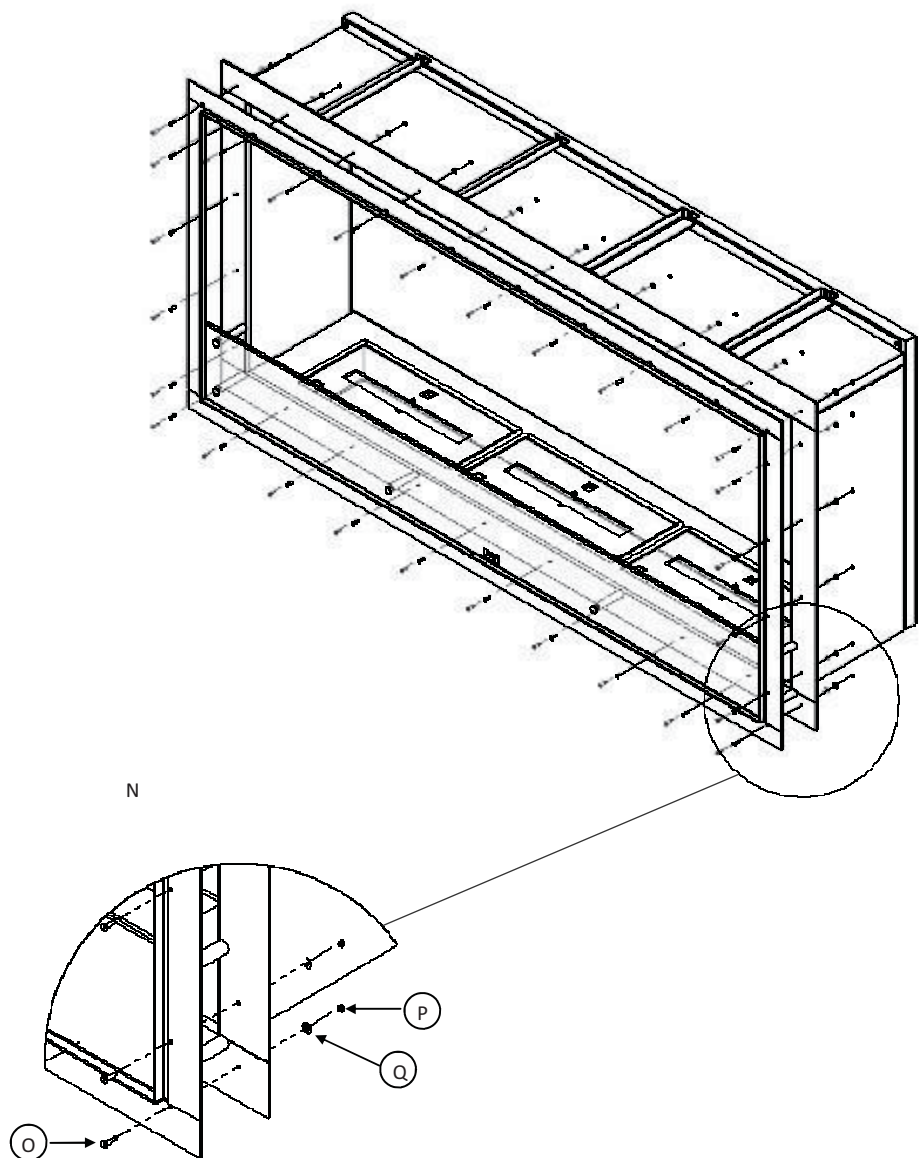
glamm[®]
fire

GlammFire

GlammBox

Installation Procedures for fireplace with "Protective rim for finishing wall" accessories

If your fireplace has the option of "Protective rim for finishing wall" accessories, before make the installation step, described on page 10, screwing the rim (N) on fireplace, point the screw (O), put the washer (Q) and tighten the nut (P).



GlammFire

Recuperadores Pachinha Lda.
Zona Industrial da Lagoa, Lote G1
4950-850 CORTES - MONÇÃO
PORTUGAL

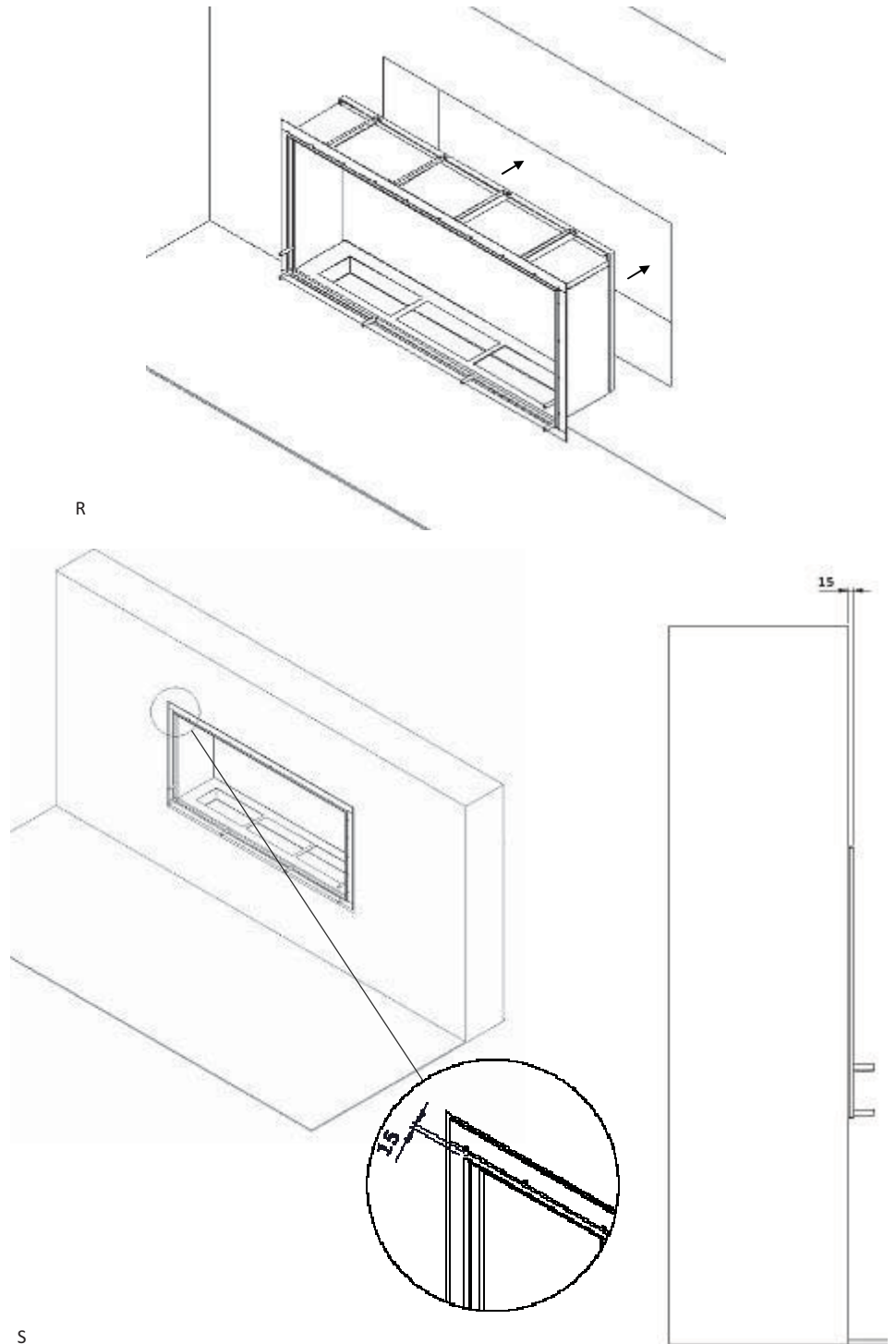
Tel(+351) 251 654 800
Fax(+351) 251 654 801
info@glammfire.com
www.glammfire.com

glamm[®]
fire

GlammFire

GlammBox

Ensure that there are 15 mm available for application of Plasterboard/ Wall finishing (S) after place your fireplace on wall (R).



GlammFire

Recuperadores Pachinha Lda.
Zona Industrial da Lagoa, Lote G1
4950-850 CORTES - MONÇÃO
PORTUGAL

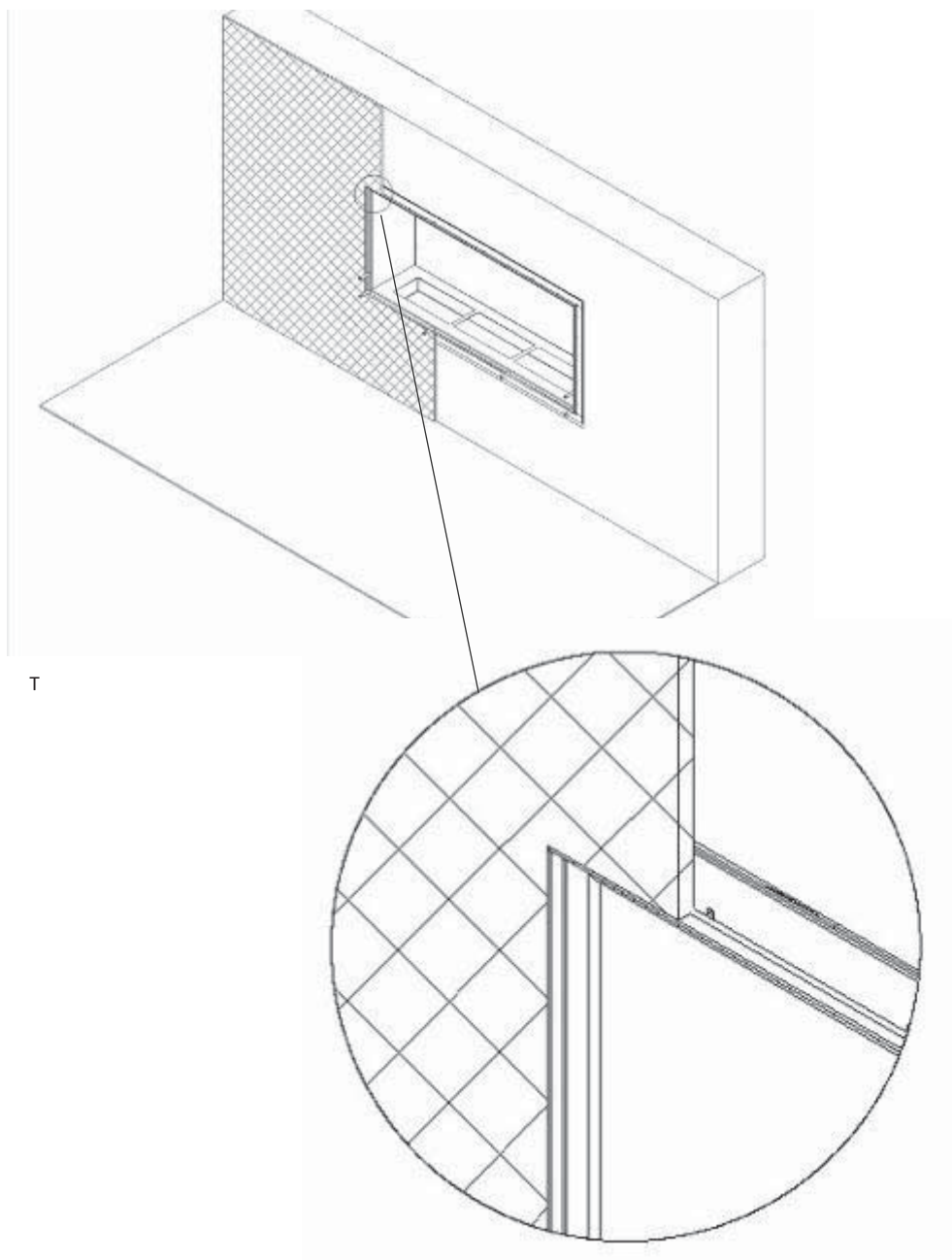
Tel(+351) 251 654 800
Fax(+351) 251 654 801
info@glammfire.com
www.glammfire.com

glamm®
fire

GlammFire

GlammBox

Put the wall finishing (e.g.: plasterboard) (T).



GlammFire

Recuperadores Pachinha Lda.
Zona Industrial da Lagoa, Lote G1
4950-850 CORTES - MONÇÃO
PORTUGAL

Tel(+351) 251 654 800
Fax(+351) 251 654 801
info@glammfire.com
www.glammfire.com

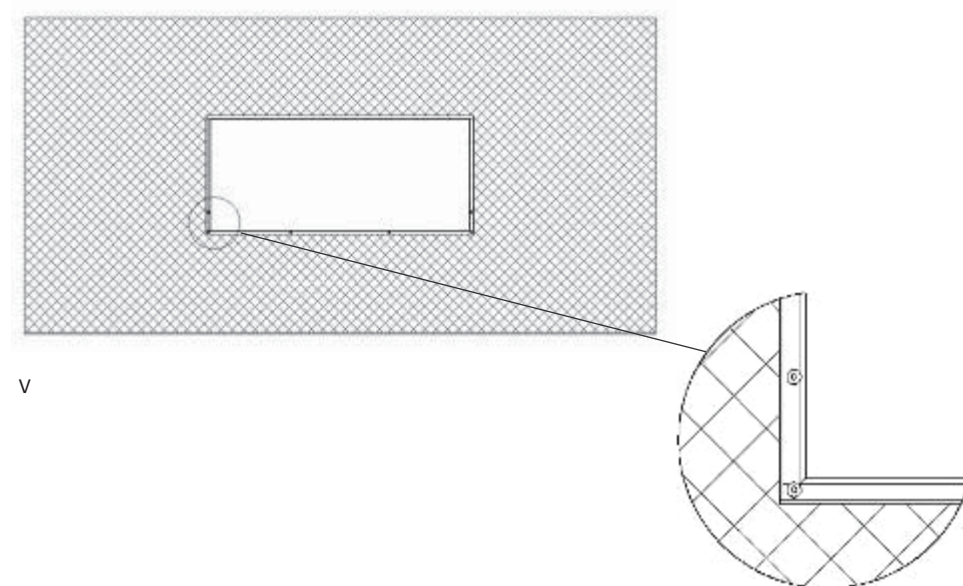
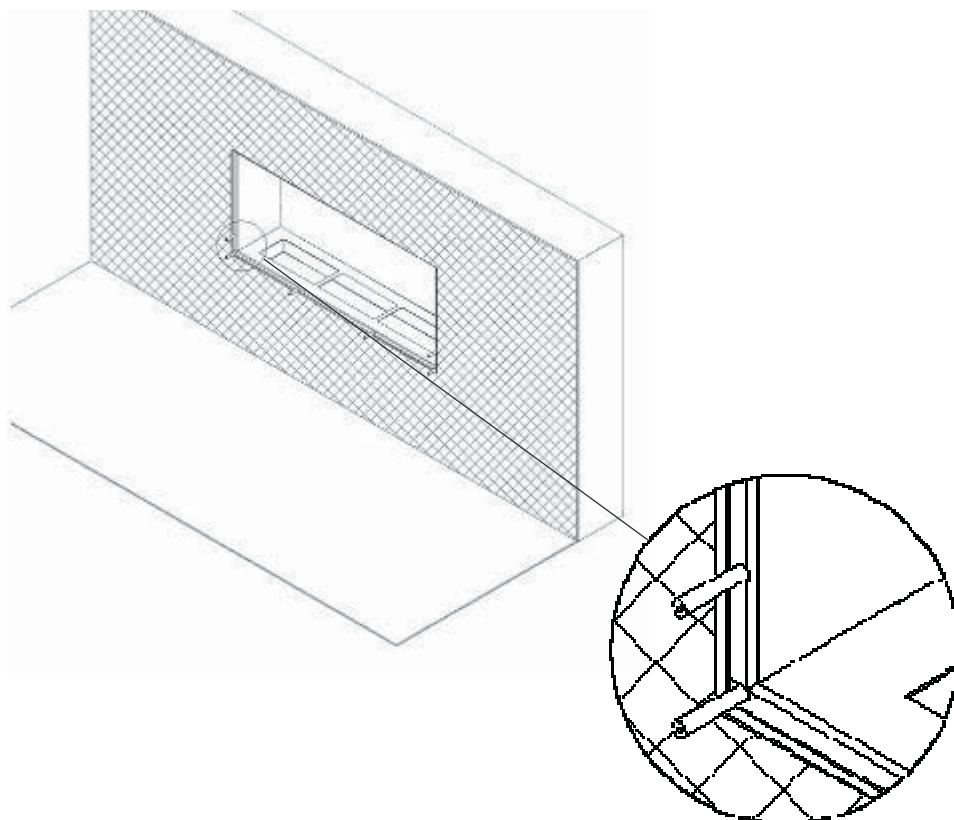
glamm[®]
fire

GlammFire

GlammBox

After the placement of wall finish the mounting gets the aspect that can be seen in (U)(V).

After this step return to page 12 and make the assembly step described.



GlammFire

Recuperadores Pachinha Lda.
Zona Industrial da Lagoa, Lote G1
4950-850 CORTES - MONÇÃO
PORTUGAL

Tel(+351) 251 654 800
Fax(+351) 251 654 801
info@glammfire.com
www.glammfire.com

glamm[®]
fire

GlammFire

GlammBox

Specifications

GlammBox	Burner	Capacity (litres)	Thermal Output (kW)	Autonomy (hours)	Area – Heating (m ²)
420 / DF	II	2	3,40	8	20
450 / DF	II	2	3,40	8	20
770 / DF	III	3	4,50	8:30	28
1150 / DF	V	5 10	8,5	5 8:30	52
1600 / DF	3 x III	9	13,5	8:30	89
2150 / DF	2 x V	10 20	17	5 8:30	106

GlammFire

Recuperadores Pachinha Lda.
Zona Industrial da Lagoa, Lote G1
4950-850 CORTES – MONÇÃO
PORTUGAL

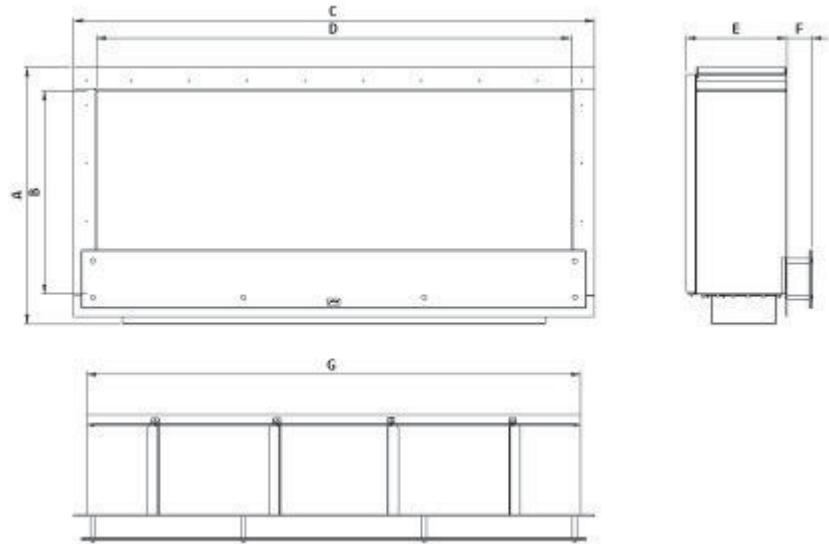
Tel(+351) 251 654 800
Fax(+351) 251 654 801
info@glammfire.com
www.glammfire.com

The logo for GlammFire, featuring the word "glamm" in a lowercase, cursive-style font with a registered trademark symbol (®) to its upper right, and the word "fire" in a smaller, lowercase, sans-serif font directly below it.

GlammFire

GlammBox

Overall dimensions



Glammbox	A *	B *	C *	D *	E *	F *	G *
420	764	600	540	420	348	85	484
420 DF	764	600	540	420	365	85	484
450	1024	860	570	450	348	85	514
450 DF	1024	860	570	540	365	85	514
770	764	600	890	770	348	85	834
770 DF	764	600	890	770	365	85	834
1150	784	600	1310	1150	348	85	1214
1150 DF	784	600	1310	1150	365	85	1214
1600	885	700	1798	163	348	85	1704
				8			
1600 DF	885	700	1798	163	365	85	1704
				8			
2150	885	700	2310	215	348	85	2216
			0	0			
2150 DF	885	700	2310	215	365	85	2216
			0	0			

*dimension in millimetres

GlammFire

Recuperadores Pachinha Lda.
Zona Industrial da Lagoa, Lote G1
4950-850 CORTES - MONÇÃO
PORTUGAL

Tel(+351) 251 654 800
Fax(+351) 251 654 801
info@glammfire.com
www.glammfire.com

PT05392-A

glamm[®]
fire